



ref. 007001

VYR-70 Full circle AG

General properties:

- Medium flow agricultural impact sprinkler.
- 3/4" male or female connection.
- Made of brass and stainless steel.
- High-resistance rotating joints.
- Nozzle angles of 26° and 22°.
- Special design for long reach.
- Used in full coverage irrigation with medium-high flow.

Technical specifications:

- Range distance: 42-60 ft. (13-18 m).
- Flow: 2,7-14,8 GPM (620- 3360 l/h).
- Working pressure: 25-65 PSI (1,75- 4,5 BAR).
- Area: Full circle.
- Nozzles: Two nozzles: one main nozzle and a secondary deflector nozzle or plug.
- Trajectory angles: 26° and 22°.
- Maximum stream height: 14 ft. (4,2 m).
- Rotation time: Depending on the pressure and the nozzles, the rotation will be constant and continuous.
- Uniformity coefficient higher than 90% in areas of 18x18R, 59x59R, 65x59T, 59x59T ft.

Dimensions:

- Height: 5,9 in. (15 cm).
- Width: 7,9 in. (20 cm).
- Weight: 1,2 lbs (548 grs).
- Units per box: 50.

Options:

- Threads in BSP or NPT under demand.
- Secondary nozzle with deflector slot or plug.
- Assembled on a pressure regulator for self-compensation of pressure and flow.

Applications:

- Used in all types of agricultural irrigation, generally with medium-high flows. Horticultural plantations, cereals, tubers, leguminous plants and fruit trees.

Models:

- Ref. 007001: 3/4" male.
- Ref. 007020: 3/4" female.



VYR-70

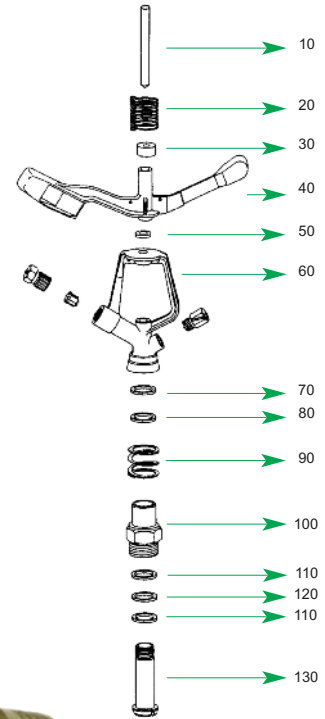
Tables & Charts

Technical guidance table for CU's of VYR-70

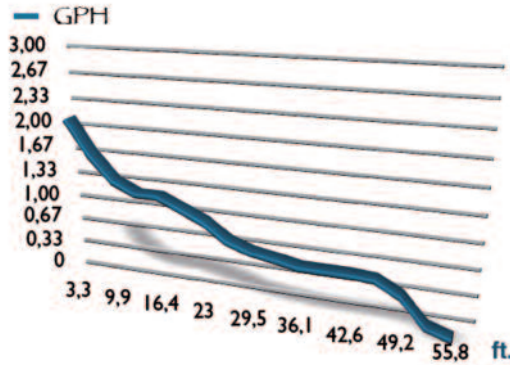
NOZZLE	P (PSI)	Q (GPH)	D (Ft.) Radius	Spacing (ft.) / Precipit. rate (in/h)					
				50x50 Triang.	60x60 Triang.	60x70 Rect.	60x70 Triang.	70x70 Triang.	70x80 Rect.
11/64" x 3/32" 4,4 x 2,4 mm. 	44	435	49,2	0,20	0,19	0,17	0,14	0,15	
	51	469	49,2	0,21	0,20	0,19	0,15	0,16	
	58	502	52,5	0,23	0,21	0,20	0,17	0,17	
3/16" x 1/8" 4,8 x 3,2 mm. 	44	576	49,2	0,26	0,24	0,23	0,19	0,19	
	51	622	52,5	0,28	0,26	0,24	0,20	0,21	0,19
	58	665	52,5	0,30	0,28	0,26	0,22	0,22	0,20
7/32" x 1/8" 5,5 x 3,2 mm. 	44	720	55,8	0,33	0,31	0,28	0,24	0,24	0,21
	51	777	55,8	0,35	0,33	0,31	0,26	0,26	0,23
	58	831	59,1	0,38	0,35	0,33	0,28	0,28	0,24

P: Pressure D: Distance (Range Radius).
Q: Flow at real test

CU < 85% CU 85-88% CU 88-92% CU > 92%



PSI	50,7
Flow	612 GPH
Nozzles	3/16" x 1/8"
Center	VYR
Rot. Veloc.	56 seg/rev.
Height	3 ft.
Test time	60 min
T°	68°F
Wind Veloc.	0 ft./seg.
Date	04/03/2011



Performance nozzle tables of VYR-70

Long range nozzles (long vane) + Plug

	1/8" 3,2 mm.		9/64" 3,6 mm.		5/32" 4,0 mm.		11/64" 4,4 mm.		3/16" 4,8 mm.		13/64" 5,2 mm.		7/32" 5,6 mm.	
PSI	GPM	Ø Ft.	GPM	Ø Ft.	GPM	Ø Ft.	GPM	Ø Ft.	GPM	Ø Ft.	GPM	Ø Ft.	GPM	Ø Ft.
36	2,73	88	3,48	90	4,27	93	5,10	101	6,12	108	7,22	110	7,57	115
44	3,00	88	3,78	90	4,62	95	5,58	103	6,65	108	7,88	113	8,27	118
51	3,25	90	4,10	92	5,02	100	6,07	106	7,22	111	8,50	116	9,42	121
58	3,48	90	4,40	95	5,37	100	6,47	110	7,70	115	9,07	119	0,98	124
65	3,70	92	4,67	98	5,68	101	6,82	113	8,18	118	9,60	121	10,60	130
73	3,87	93	4,93	101	5,98	103	7,22	115	8,62	121	10,08	126	11,08	133
80	4,10	95	5,15	101	6,30	105	7,57	118	9,07	123	10,47	128	11,62	134

(*Sprinkler at 1 meter height)

Long range nozzles (long vane) + short range nozzle

	15°		15°		15°		15°		15°		15°		15°		15°		15°	
	1/8" x 3/32" 3,2 x 2,4 mm.		9/64" x 3/32" 3,6 x 2,4 mm.		5/32" x 3/32" 4,0 x 2,4 mm.		11/64" x 3/32" 4,4 x 2,4 mm.		11/64" x 7/64" 4,4 x 2,8 mm.		3/16" x 3/32" 4,8 x 2,4 mm.		3/16" x 7/64" 4,8 x 2,8 mm.		3/16" x 1/8" 4,8 x 3,2 mm.		13/64" x 1/8" 5,2 x 3,2 mm.	
PSI	GPM	Ø Ft.	GPM	Ø Ft.	GPM	Ø Ft.	GPM	Ø Ft.	GPM	Ø Ft.	GPM	Ø Ft.	GPM	Ø Ft.	GPM	Ø Ft.	GPM	Ø Ft.
36	4,32	88	5,07	90	5,80	93	6,68	101	7,62	101	7,71	108	8,33	108	9,02	108	10,17	110
44	4,70	88	5,50	90	6,38	95	7,35	103	7,92	103	8,45	108	9,23	108	9,85	108	11,08	113
51	5,10	90	5,93	92	6,87	100	7,92	106	8,43	106	9,03	111	9,92	111	10,65	111	11,97	116
58	5,45	90	6,38	95	7,35	100	8,45	110	9,10	110	9,60	115	10,57	115	11,40	115	12,80	119
65	5,80	92	6,78	98	7,78	101	8,93	113	9,53	113	10,13	118	11,20	118	12,10	118	13,50	121
73	5,98	93	7,13	101	8,23	103	9,42	115	10,12	115	10,70	121	11,80	121	12,67	121	14,22	126
80	6,42	95	7,48	101	8,62	105	9,85	118	10,57	118	11,05	123	12,37	123	13,25	123	14,78	128

STANDARD Ø ft. : Diameter of coverage

(*Sprinkler at 1 meter height)

- For optimum distribution avoid use in shady areas.
- Sprinklers will be supplied with standard nozzles unless otherwise specified.
- In order to calculate the flow, add the flows of the two nozzles. The range of the rear nozzle must be less than that of the main nozzle.

