

ref. 015000

∠ 27°

∠ 4°

1 1/4"

VYR-150

Part circle AG

General properties:

- Part circle agricultural impact sprinkler, high flow.
- 1 1/4" male connection.
- Made of brass and stainless steel.
- High-resistance rotating joints.
- Nozzle angles of 27° and 4°.
- Part circle mechanical system using clips that are very easy and quick to adjust.
- Used in full coverage irrigation with high flow to cover the side, corner and pivot point areas.
- Special mechanical and hydraulic design for energy saving and an optimal coverage coefficient.
- Adjustable spring tension.

Technical specifications:

- Reach: 82-122 ft. (25-37 m).
- Flow: 27-123 GPM (6,200 - 28,000 l/h).
- Working pressure: 58-102 PSI (4 - 7 BAR).
- Area: Part or full circle.
- Nozzles: One main long reach nozzle and a secondary short reach nozzle.
- Trajectory angles: 27° and 4°.
- Maximum stream height: 18 ft. (5,5 m).
- Rotation time: Depending on the pressure and the nozzles, the rotation will be constant and continuous.
- Uniformity coefficient higher than 90% in areas of 121x121R, 121x121T, 121x128T ft.

Applications:

- Horticultural plantations, cereals, tubers, leguminous plants and fruit trees.
- Often used for Pivot points.

Dimensions:

- Height: 11,8 in. (30 cm).
- Width: 14,2 in. (36 cm).
- Weight: 5,36 lbs. (2,430 grs).
- Units per box: 5.

Options:

- Threads in BSP or NPT under demand.
- Foldable tripod for mobile installation.

Models:

Ref. 015000: Standard male.

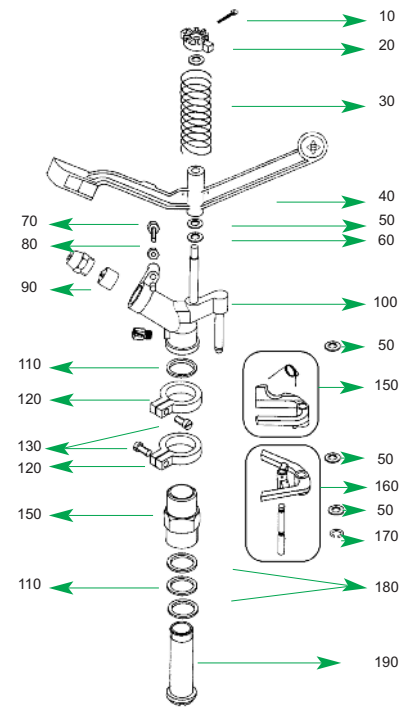
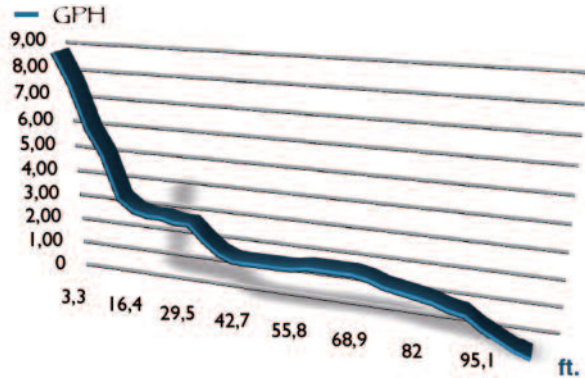




VYR-150

Tables & Charts

PSI	51
Caudal	222 GPH
Boquillas	1/2" x 1/4"
Centro	VYR
Veloc. Rot.	180 seg/rev.
Altura	3,3 ft.
Duración	60 min
T°	68°F
Veloc. viento	0 m/seg.
Fecha	1/10/2013



Performance nozzle tables of VYR-150

Long range nozzles (long vane) + short range nozzle

PSI	11/32" x 1/8" 9 x 3,2 mm.		13/32" x 1/8" 10 x 3,2 mm.		7/16" x 1/8" 11 x 3,2 mm.		1/2" x 2/8" 13 x 6,3 mm.		9/16" x 2/8" 14,5 x 6,3 mm.		5/8" x 2/8" 16 x 6,3 mm.	
	GPM	Ø Ft.	GPM	Ø Ft.	GPM	Ø Ft.	GPM	Ø Ft.	GPM	Ø Ft.	GPM	Ø Ft.
58	27,3	164	33,9	171	41,4	177	62,9	190	71,7	197	88,9	203
73	30,8	171	37,8	177	46,6	184	71,3	203	80,5	210	102,1	217
87	34,3	177	41,8	184	51,5	190	80,1	223	88,0	226	113,5	236
102	37,4	184	45,3	190	55,4	197	85,8	236	94,6	240	123,2	243

STANDARD Ø ft. : Diameter of coberage

- Sprinklers will be supplied with standard nozzles unless otherwise specified.
- In order to calculate the flow, add the flows of the two nozzles. The range of the rear nozzle must be less than that of the main nozzle.



Easy part-circle adjustment