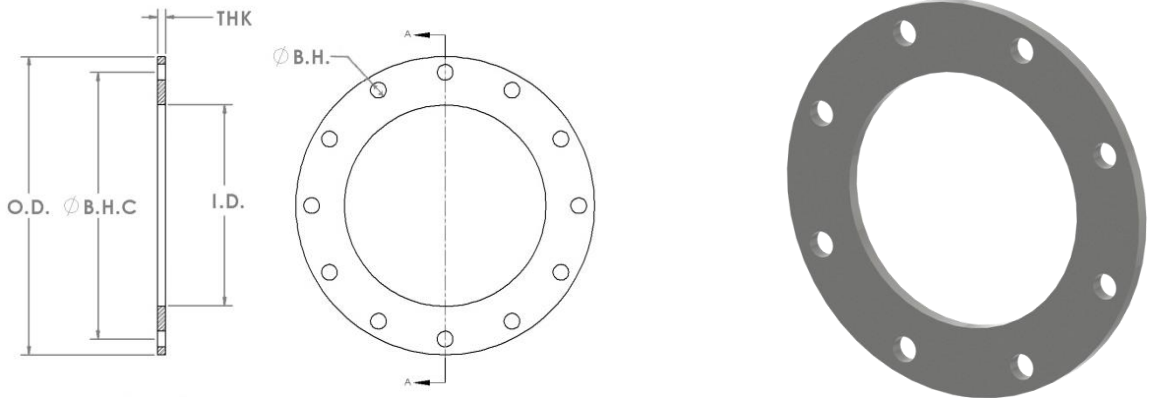




1022 Class B Flanges
AWWA Water Service Rated 86 PSI Flat Faced



Part No.	Pipe Size	O.D.	I.D.	B.H.C. Dia.	B.H. Dia.	No. B.H.	Thk.	Weight
1022-04	4"	9.00"	4.57"	7.50"	0.75"	8	0.625"	8.1 lbs.
1022-05	5"	10.00"	5.66"	8.50"	0.88"			9.1 lbs.
1022-06	6"	11.00"	6.72"	9.50"	1.00"		0.688"	10.7 lbs.
1022-08	8"	13.50"	8.72"	11.75"				15.7 lbs.
1022-10	10"	16.00"	10.88"	14.25"	12	19.3 lbs.		
1022-12	12"	19.00"	12.88"	17.00"		28.0 lbs.		
1022-14	14"	21.00"	14.19"	18.75"	1.13"	16		34.3 lbs.
1022-16	16"	23.50"	16.19"	21.25"				41.3 lbs.
1022-18	18"	25.00"	18.19"	22.75"	1.25"	20	41.2 lbs.	
1022-20	20"	27.50"	20.19"	25.00"			48.5 lbs.	
1022-24	24"	32.00"	24.19"	29.50"	1.38"	28	0.750"	66.8 lbs.
1022-28	28"	36.50"	28.19"	34.00"			0.875"	94.2 lbs.
1022-30	30"	38.75"	30.19"	36.00"	1.63"	32	1.000"	104.4 lbs.
1022-36	36"	46.00"	36.19"	42.75"				160.3 lbs.
1022-42	42"	53.00"	42.19"	49.50"		36	1.125"	233.4 lbs.
1022-48	48"	59.50"	48.19"	56.00"				305.9 lbs.
1022-50	50"	61.75"	50.19"	58.25"	1.88"	44	1.250"	316.3 lbs.

- Add (S) after 1022 for 304 SST Flanges (i.e. 1022S-10).
- Steel Flanges conform to AWWA C207-07 Specifications.
- 304/304L SST Flanges conform to AWWA C228-08 Specifications.
- Pressure Rating: 86 PSI.

