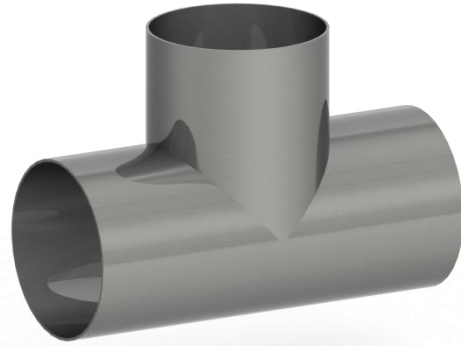
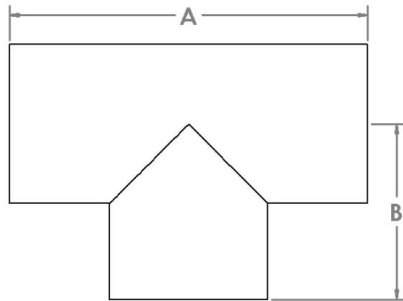
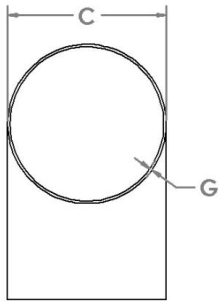


## 1515 Series Weld On Tee



Part No.	Nominal Pipe Size (C)	Length (A)	Length (B)	Weight	
				(G) 10 GA. (0.1345")	(G) 7 GA. (0.1793")
1515-04D	4.000"	12.000"	8.000"	8 lbs.	11 lbs.
1515-04I	4.500"				
1515-05D	5.000"	14.000"	9.000"	10 lbs.	14 lbs.
1515-05I	5.563"				
1515-06D	6.000"				
1515-06I	6.625"	16.000"	10.000"	18 lbs.	25 lbs.
1515-08D	8.000"				
1515-08I	8.625"	18.000"	11.000"	25 lbs.	35 lbs.
1515-10D	10.000"				
1515-10I	10.750"	20.000"	12.000"	38 lbs.	54 lbs.
1515-12D	12.000"				
1515-12I	12.750"	22.000"	14.000"	49 lbs.	68 lbs.
1515-14D	14.000"				
1515-16D	16.000"	24.000"	16.000"	56 lbs.	78 lbs.
1515-18DXX	18.000"	26.000"		64 lbs.	90 lbs.
1515-20DXX	20.000"	28.000"	18.000"	N/A	105 lbs.
					126 lbs.

- (G) is Pipe Gauge.
- (XX) Indicates 0.250" wall material.
- Use X at the end of Part No. to indicate 7 Gauge Pipe Material.
- Pipe Conforms to ASTM A53.
- Construction is 2 piece mitered.