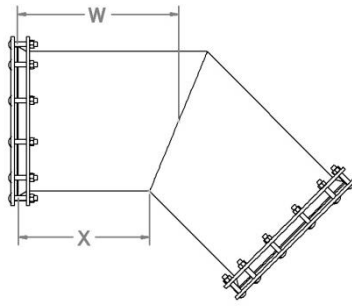
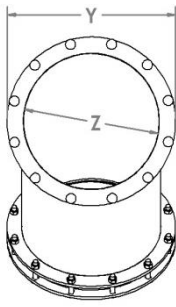


1065 M & M WATER TIGHT 45° COUPLERS



1065 Elbow Part No.	Nominal Pipe O.D. (Z)	Insertion Length *(X)	Ring O.D. (Y)	Length (W)	Carriage Bolt Size	No. of Bolts per Coupler	Weight	
1065-03D	3.000"	8.000" - 9.000"	6.250"	9.000"	3/8" x 2-1/2"	8	17 lbs.	
1065-03I	3.500"		6.250"			8	17 lbs.	
1065-04D	4.000"		7.250"	10.000"		10	21 lbs.	
1065-04I	4.500"		7.250"			10	22 lbs.	
1065-05D	5.000"	9.000" - 10.000"	8.188"	11.000"		12	24 lbs.	
1065-05I	5.563"		8.188"			12	27 lbs.	
1065-06D	6.000"		8.250"			12.000"	14	28 lbs.
1065-06I	6.625"		9.125"				12	31 lbs.
1065-06P	6.140"		8.750"			12	30 lbs.	
1065-08D	8.000"		10.813"			13.000"	16	37 lbs.
1065-08	8.625"		11.375"	16			39 lbs.	
1065-08P	8.160"		10.813"	16			39 lbs.	
1065-10D	10.000"		12.813"	14.000"			20	50 lbs.
1065-10I	10.750"		13.688"			20	52 lbs.	
1065-10P	10.200"		12.813"	15.000"		20	53 lbs.	
1065-12D	12.000"		15.438"			16.000"	24	64 lbs.
1065-12I	12.750"	15.875"	24	67 lbs.				
1065-12P	12.240"	15.438"	24	68 lbs.				
1065-14D	14.000"	17.000"	18.000"	28			74 lbs.	
1065-15P	15.300"	18.250"		30		82 lbs.		
1065-16D	16.000"	19.000"	19.000"	32	87 lbs.			
1065-180D	18.000"	21.188"		36	36	98 lbs.		
1065-183P	18.360"	21.188"	36		99 lbs.			
1065-187P	18.700"	21.750"	40	36	104 lbs.			
1065-20D	20.000"	23.500"		40	112 lbs.			
1065-20P	20.400"	23.500"	44	40	114 lbs.			
1065-22P	22.047"	25.250"		44	130 lbs.			
1065-24D	24.000"	28.000"	48	3/8" x 3"	48	142 lbs.		
1065-24P	24.803"	28.000"			48	146 lbs.		
1065-27P	27.953"	31.500"	56	1/2" x 4"	56	181 lbs.		
1065-31P	31.496"	35.750"	60		217 lbs.			

*Indicates Minimal range of insertion.

- Use E/G/S after Part # to indicate Epoxy/ Galvanized/ 304 Stainless Steel.
- Bodies are 11 GA. Material.
- Rings are 5/16" Thick on Carbon Steel 1/4" Thick on Stainless Steel.
- Pressure Rating of 150 PSI.

