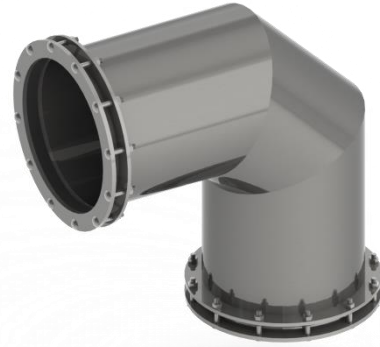
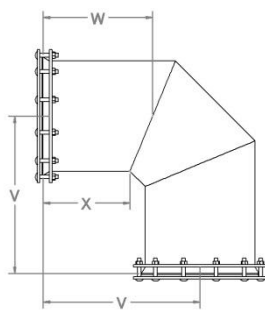
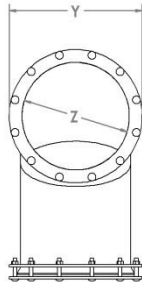


1055 M & M WATER TIGHT 90° ELBOW



1055 Elbow Part No.	Nominal Pipe O.D. (Z)	Insertion Length* (X)	Ring O.D. (Y)	Length (W)	Length (Z)	Carriage Bolt Size	No. of Bolts per Coupler	Weight		
1055-03D	3.000"	8"-9"	6.250"	9.000"	12.000"	3/8" x 1/2"	8	25 lbs.		
1055-03I	3.500"		6.250"				8	25 lbs.		
1055-04D	4.000"		7.250"	10.000"	13.000"		10	29 lbs.		
1055-04I	4.500"		7.250"				10	31 lbs.		
1055-05D	5.000"	9"-10"	8.188"	11.000"	14.000"		12	34 lbs.		
1055-05I	5.563"		8.188"				12	38 lbs.		
1055-06D	6.000"		8.250"				14.000"	16.000"	14	40 lbs.
1055-06I	6.625"		9.125"						12	45 lbs.
1055-06P	6.140"		8.750"				12	43 lbs.		
1055-08D	8.000"		10.813"				12.000"	17.000"	16	58 lbs.
1055-08I	8.625"		11.375"	16	61 lbs.					
1055-08P	8.160"		10.813"	16	60 lbs.					
1055-10D	10.000"		12.813"	13.000"	20.000"				20	76 lbs.
1055-10I	10.750"		13.688"						20	79 lbs.
1055-10P	10.200"		12.813"	20	97 lbs.					
1055-12D	12.000"		15.438"	14.000"	21.000"		24	96 lbs.		
1055-12I	12.750"	15.875"	24			99 lbs.				
1055-12P	12.240"	15.438"	24			101 lbs.				
1055-14D	14.000"	17.000"	15.000"			24.000"	28	113 lbs.		
1055-15P	15.300"	18.250"		30	122 lbs.					
1055-16D	16.000"	19.000"	16.000"	26.000"	32	129 lbs.				
1055-180D	18.000"	21.188"			36	156 lbs.				
1055-183P	18.360"	21.188"			36	158 lbs.				
1055-187P	18.700"	21.750"			36	165 lbs.				
1055-20D	20.000"	23.500"	18.000"	30.000"	40	183 lbs.				
1055-20P	20.400"	23.500"			40	186 lbs.				
1055-22P	22.047"	25.250"	19.000"	33.000"	44	213 lbs.				
1055-24D	24.000"	28.000"			3/8" x 3"	48	244 lbs.			
1055-24P	24.803"	28.000"				48	250 lbs.			
1055-27P	27.953"	31.500"	1/2" x 4"	33.000"	56	299 lbs.				
1055-31P	31.496"	35.750"			60	367 lbs.				

*Indicates Minimal range of insertion.

- Use E/G/S after Part # to indicate Epoxy/ Galvanized/ 304 Stainless Steel.
- Bodies are 11 GA. Material.
- Rings are 5/16" Thick on Carbon Steel 1/4" Thick on Stainless Steel.
- Pressure Rating of 150 PSI.

