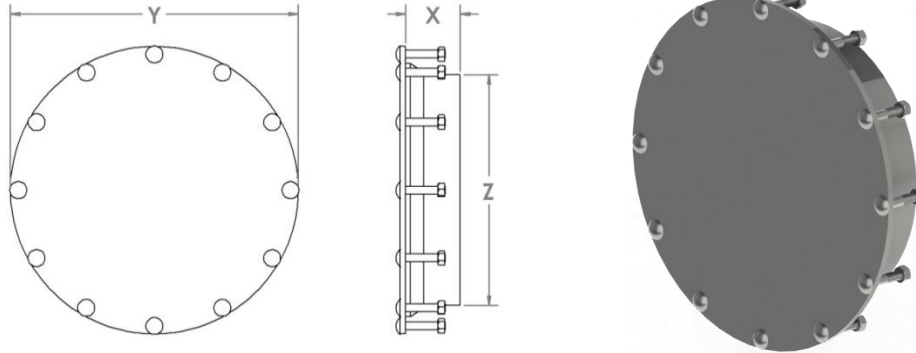


1050 M & M WATER TIGHT END PLUG



1030 Coupler Part No.	Nominal Pipe O.D. (Z)	Length (X)	Ring O.D. (Y)	Carriage Bolt Size	No. of Bolts per Coupler	Weight
1050-03D	3.000"	3.000"	6.250"	3/8" x 2-1/2"	4	4 lbs.
1050-03I	3.000"		6.250"		4	4 lbs.
1050-04D	4.000"		7.250"		5	5 lbs.
1050-04I	4.500"		7.250"		5	5 lbs.
1050-05D	5.000"		8.188"		6	6 lbs.
1050-05I	5.563"		8.188"		6	6 lbs.
1050-06D	6.000"		8.250"		6	8 lbs.
1050-06I	6.625"		9.125"		7	8 lbs.
1050-06P	6.140"		8.750"		6	8 lbs.
1050-08D	8.000"		10.813"		8	13 lbs.
1050-08I	8.625"		11.375"		8	13 lbs.
1050-08P	8.160"		10.813"		8	13 lbs.
1050-10D	10.000"		12.813"		10	16 lbs.
1050-10I	10.750"		13.688"		10	16 lbs.
1050-10P	10.200"		12.813"		10	16 lbs.
1050-12D	12.000"		15.438"		12	23 lbs.
1050-12I	12.750"		15.875"		12	23 lbs.
1050-12P	12.240"		15.438"		12	23 lbs.
1050-14D	14.000"		17.000"		14	26 lbs.
1050-15P	15.300"		18.250"		15	27 lbs.
1050-16D	16.000"		19.000"	16	28 lbs.	
1050-180D	18.000"		21.188"	18	40 lbs.	
1050-183P	18.360"		21.188"	18	40 lbs.	
1050-187P	18.700"		21.750"	18	40 lbs.	
1050-20D	20.000"		23.500"	20	49 lbs.	
1050-20P	20.400"		23.500"	20	49 lbs.	
1050-22P	22.047"		25.250"	3/8" x 3"	22	56 lbs.
1050-24D	24.000"		28.000"		24	67 lbs.
1050-24P	24.803"		28.000"		24	67 lbs.
1050-27P	27.953"		31.500"		28	85 lbs.
1050-31P	31.496"		35.750"	1/2" x 4"	30	110 lbs.

- Use E/G/S after Part # to indicate Epoxy/ Galvanized/ 304 Stainless Steel.
- Bodies are 10 GA. Carbon Steel or SCH 5 Stainless Steel.
- Rings are 5/16" Thick on Carbon Steel 1/4" Thick on Stainless Steel.
- Pressure Rating of 150 PSI.

