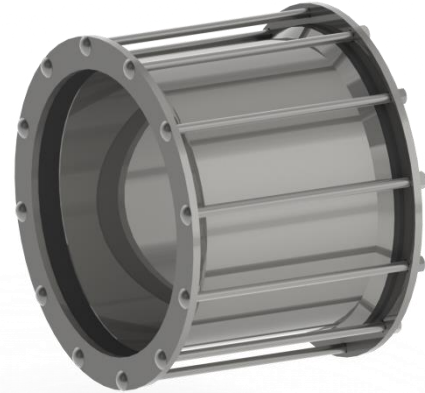
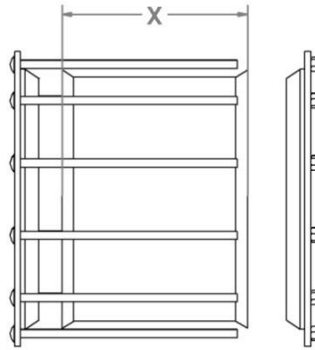
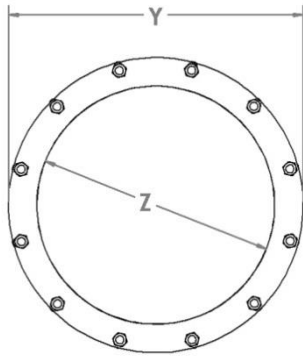


1040 M & M WATER TIGHT SHORT EXPANSION COUPLERS



1040 Part No.	Nominal Pipe Size (Z)	Length (X)	Ring O.D. (Y)	Carriage Bolt Size	No. of Bolts per Coupler	Weight
1040-03D	3.000"	10.000"	6.250"	3/8" x 12"	4	10 lbs.
1040-03I	3.500"		6.250"		4	10 lbs.
1040-04D	4.000"		7.250"		5	11 lbs.
1040-04I	4.500"		7.250"		5	11 lbs.
1040-05D	5.000"		8.188"		6	12 lbs.
1040-05I	5.623"		8.188"		6	12 lbs.
1040-06D	6.000"		8.250"		6	13 lbs.
1040-06I	6.625"		9.125"		7	13 lbs.
1040-06P	6.140"		8.750"		6	13 lbs.
1040-08D	8.000"		10.813"		8	20 lbs.
1040-08I	8.625"		11.375"		8	20 lbs.
1040-08P	8.160"		10.813"		8	20 lbs.
1040-10D	10.000"		12.813"		10	25 lbs.
1040-10I	10.750"		13.688"		10	25 lbs.
1040-10P	10.200"		12.813"		10	25 lbs.
1040-12D	12.000"	15.438"	12	30 lbs.		
1040-12I	12.750"	15.875"	12	30 lbs.		
1040-12P	12.240"	15.438"	12	30 lbs.		
1040-14D	14.000"	17.000"	14	32 lbs.		
1040-15P	15.300"	18.250"	15	35 lbs.		

- Use E/G/S after Part # to indicate Epoxy/ Galvanized/ 304 SST.
- Bodies are 11 GA. Material.
- Rings are 5/16" Thick on Carbon Steel 1/4" Thick on SST.
- Pressure Rating of 150 PSI.

