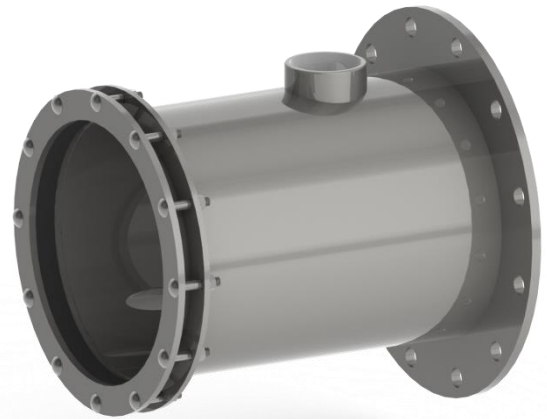
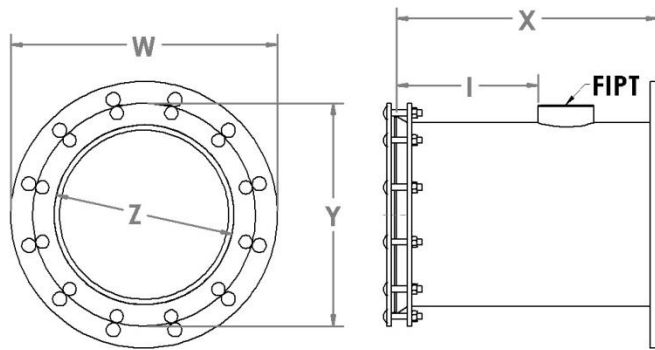


## 1036 M & M WATER TIGHT x FLANGE ADAPTERS with FIPT (IPS SIZES)



1036 IPS Part No.	Nominal Pipe O.D. (Z)	Flange Size	Flange O.D. (W)	Length (X)	Ring O.D. (Y)	Insertion Length (I)	FIPT Size	Carriage Bolt Size	No. of Bolts per Coupler	Weight
1036-032I	3.500"	3"	7.500"	16.500"	6.250"	10.000"	2"	3/8" x 2-1/2"	4	18 lbs.
1036-04032I	4.500"	3"	7.500"	16.500"	7.250"				5	19 lbs.
1036-042I	4.500"	4"	9.000"	16.500"	7.250"				5	20 lbs.
1036-05042I	5.563"	4"	9.000"	20.500"	8.188"				6	22 lbs.
1036-052I	5.563"	5"	10.000"	16.500"	8.188"				6	23 lbs.
1036-06042I	6.625"	4"	9.000"	22.500"	9.125"				7	27 lbs.
1036-06052I	6.625"	5"	10.000"	22.500"	9.125"				7	28 lbs.
1036-062I	6.625"	6"	11.000"	18.500"	9.125"				7	31 lbs.
1036-08043I	8.625"	4"	9.000"	24.500"	11.375"		3"		8	34 lbs.
1036-08053I	8.625"	5"	10.000"	23.500"	11.375"				8	35 lbs.
1036-08063I	8.625"	6"	11.000"	22.500"	11.375"				8	37 lbs.
1036-083I	8.625"	8"	13.500"	18.500"	11.375"				8	41 lbs.
1036-10063I	10.750"	6"	11.000"	24.500"	13.688"				10	45 lbs.
1036-10083I	10.750"	8"	13.500"	22.500"	13.688"				10	48 lbs.
1036-103I	10.750"	10"	16.000"	18.500"	13.688"				10	52 lbs.
1036-12083I	12.750"	8"	13.500"	24.500"	15.875"				12	52 lbs.
1036-12103I	12.750"	10"	16.000"	22.500"	15.875"	12	56 lbs.			
1036-123I	12.750"	12"	19.000"	18.500"	15.875"	12	62 lbs.			

- Use E/G/S after Part # to indicate Epoxy/ Galvanized/ 304 Stainless Steel.
- Bodies are 11 GA. Material.
- Rings are 5/16" Thick Carbon Steel 1/4" Thick on Stainless Steel.
- FIPT'S conform to ANSI/ASME B1.20.1 / 1/8"-2" Straight Thread 2-1/2" - 6" Tapered Thread.
- Pressure Rating of 150 PSI.

