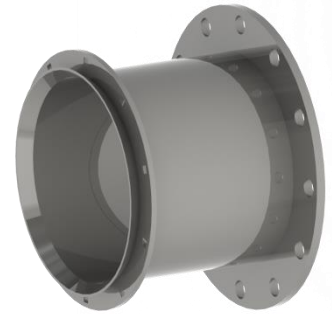
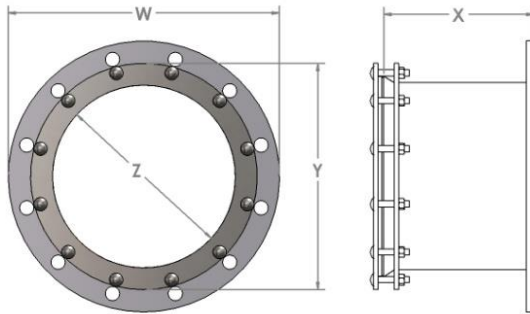


## 1035 M & M WATER TIGHT x FLANGE ADAPTERS (IPS SIZES)



1035 IPS Part No.	Nominal Pipe O.D. (Z)	Flange Size	Flange O.D. (W)	Length (X)	Ring O.D. (Y)	Carriage Bolt Size	No. of Bolts per Coupler	Weight
1035-03I	3.500"	3"	7.500"	10.500"	6.250"	3/8" x 2-1/2"	4	10 lbs.
1035-0403I	4.500"	3"	7.500"	10.500"	7.250"		5	13 lbs.
1035-04I	4.500"	4"	9.000"	10.500"	7.250"		5	15 lbs.
1035-0504I	5.563"	4"	9.000"	14.500"	8.188"		6	17 lbs.
1035-05I	5.563"	5"	10.000"	10.500"	8.188"		6	18 lbs.
1035-0604I	6.625"	4"	9.000"	14.500"	9.125"		7	19 lbs.
1035-0605I	6.625"	5"	10.000"	14.500"	9.125"		7	20 lbs.
1035-06I	6.625"	6"	11.000"	10.500"	9.125"		7	21 lbs.
1035-0804I	8.625"	4"	9.000"	16.500"	11.375"		8	22 lbs.
1035-0805I	8.625"	5"	10.000"	15.500"	11.375"		8	24 lbs.
1035-0806I	8.625"	6"	11.000"	14.500"	11.375"		8	25 lbs.
1035-08I	8.625"	8"	13.500"	10.500"	11.375"		8	28 lbs.
1035-1006I	10.750"	6"	11.000"	16.500"	13.688"		10	29 lbs.
1035-1008I	10.750"	8"	13.500"	14.500"	13.688"		10	32 lbs.
1035-10I	10.750"	10"	16.000"	10.500"	13.688"		10	36 lbs.
1035-1208I	12.750"	8"	13.500"	16.500"	15.875"		12	35 lbs.
1035-1210I	12.750"	10"	16.000"	14.500"	15.875"		12	49 lbs.
1035-12I	12.750"	12"	19.000"	10.500"	15.875"		12	45 lbs.

- Use E/G/S after Part # to indicate Epoxy/ Galvanized/ 304 Stainless Steel.
- Bodies are 11 GA. Material.
- Rings are 5/16" Thick Carbon Steel 1/4" Thick on Stainless Steel.
- Pressure Rating of 150 PSI.

