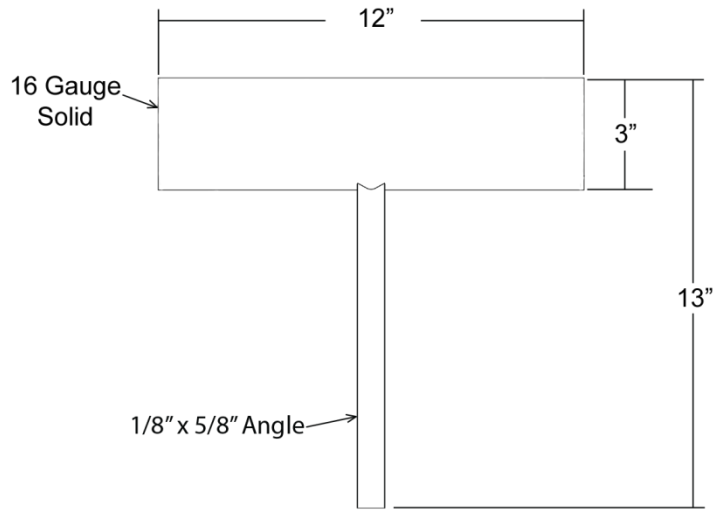


1099-F Riser Mount Straight Solid



Part No.	Description	Weight
1099-F	Riser Mount Straight Solid	1.08 lbs.

- The complete unit is made of Carbon Steel.
- Hot Dipped Galvanized conforming to ASTM 123 specifications.

