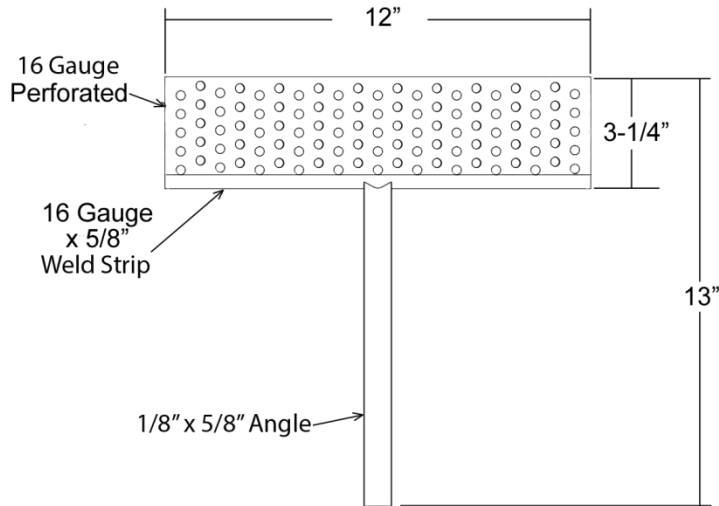


1099-E Riser Mount Straight Perforated



Part No.	Description	Weight
1099-E	Riser Mount Straight Perforated	0.76 lbs.

- The complete unit is made of Carbon Steel.
- Hot Dipped Galvanized conforming to ASTM 123 specifications.

