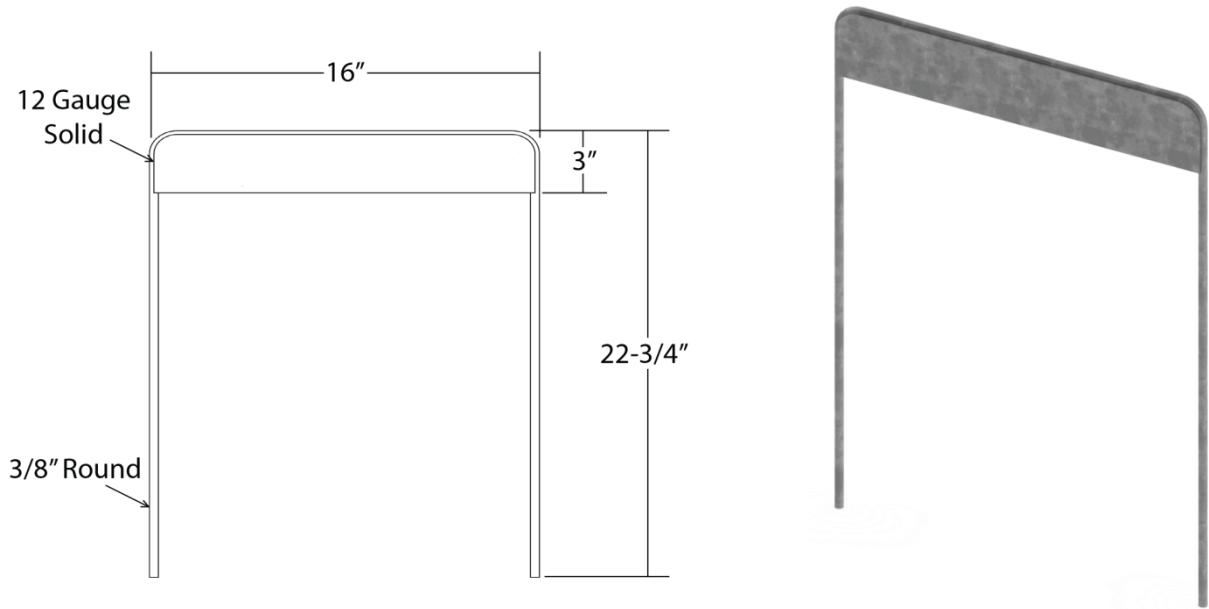


1099-D Ground Mount Straight Solid



Part No.	Description	Weight
1099-D	Ground Mount Straight Solid	3.60 lbs.

- The complete unit is made of Carbon Steel.
- Hot Dipped Galvanized conforming to ASTM 123 specifications.

