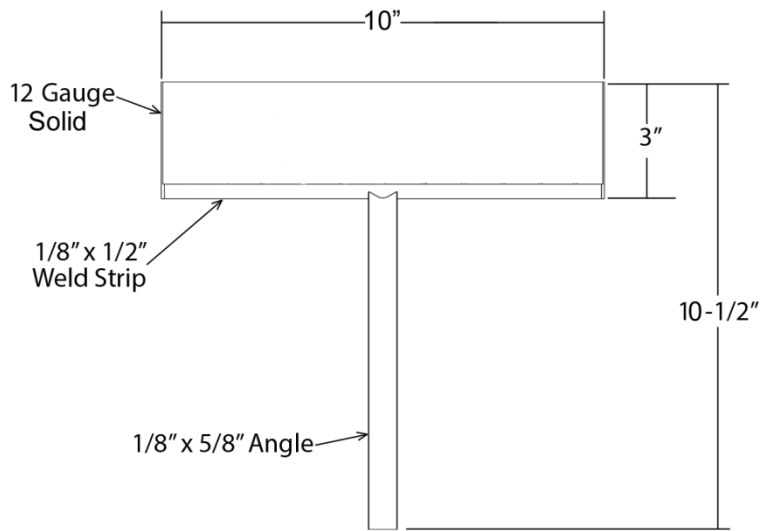


1099-B Riser Mount Curved Solid



Part No.	Description	Weight
1099-B	Riser Mount Curved Solid	1.56 lbs.

- The complete unit is made of Carbon Steel.
- Hot Dipped Galvanized conforming to ASTM 123 specifications.

