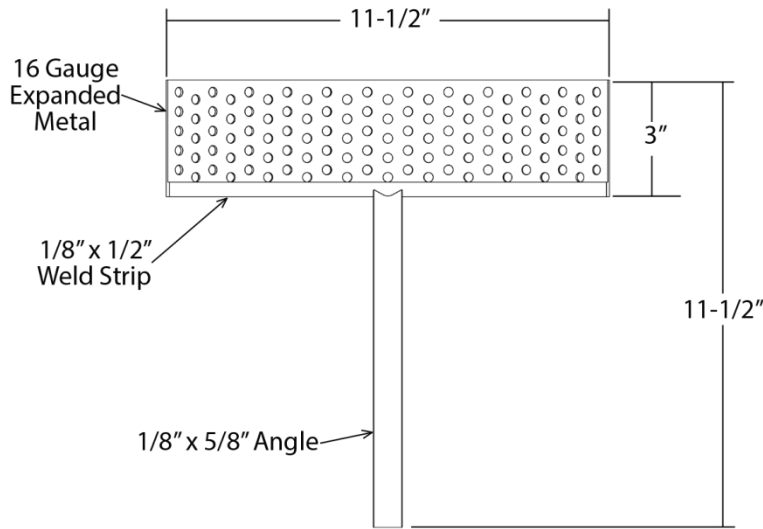


## 1099-A Riser Mount Curved Perforated



Part No.	Description	Weight
1099-A	Riser Mount Curved Perforated	0.82 lbs.

- The complete unit is made of Carbon Steel.
- Hot Dipped Galvanized conforming to ASTM 123 specifications.

