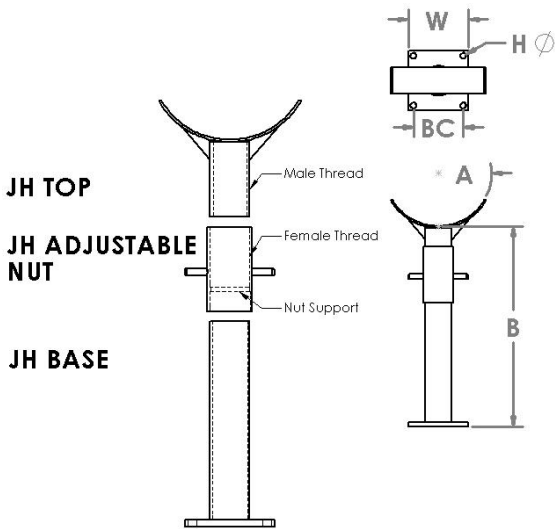


JH Series Jack Stands



Part No.	Support Dimensions		Base Anchor Plate		
	Support Pipe Size (A)	Centerline Height (B)	Width (W)	Bolt Center (BC)	Anchor Hole Size (HØ)
JH-0620	6-5/8"	20.00"	8.00"	6.00"	7/8"
JH-0648		48.00"			
JH-0820	8-5/8"	20.00"			
JH-0848		48.00"			
JH-1020	10-3/4"	20.00"			
JH-1048		48.00"			
JH-1220	12-3/4"	20.00"			
JH-1248		48.00"			
JH-1420	14"	20.00"			
JH-1448		48.00"			
JH-1620	16"	20.00"			
JH-1648		48.00"			
JH-1820	18"	20.00"			
JH-1848		48.00"			
JH-2020	20"	20.00"			
JH-2048		48.00"			

- JH Series Jack Stands are a heavy construction, custom designed stand, manufactured by Morrill Industries.
- Customers can specify pipe support size and lengths to be manufactured.
- Stands are made of Carbon Steel.
- Pipe Conforming to ASTM A53 Grade B (SCH 40 Materials).
- Support Saddle plate is 3/8" Carbon Steel Plate conforming to ASTM A-36.
- Base Plate is 1/2" Carbon Steel Plate conforming to ASTM A-36.
- Supports have approximately 3" of adjustment up or down.

