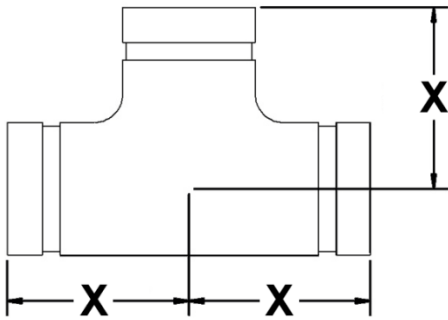


Groove Tee



Part No.	Nom. Size	X	Weight
GT-015	1-1/2	2.75"	1.80 lbs.
GT-020	2	3.25"	2.60 lbs.
GT-025	2-1/2	3.75"	4.10 lbs.
GT-030	3	4.25"	5.30 lbs.
GT-040	4	5.00"	9.40 lbs.
GT-050	5	5.50"	14.70 lbs.
GT-060	6	6.50"	20.50 lbs.
GT-080	8	7.78"	35.20 lbs.
GT-100	10	9.00"	58.60 lbs.
GT-120	12	10.00"	85.00 lbs.



- Ductile Iron Fittings conforming to ASTM A-536.
- Maximum Working Pressure 3/4" thru 6" is 1000 psi.
- Maximum Working Pressure 8" thru 12" is 800 psi.

