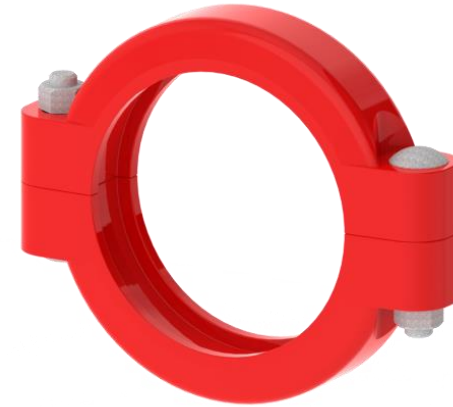
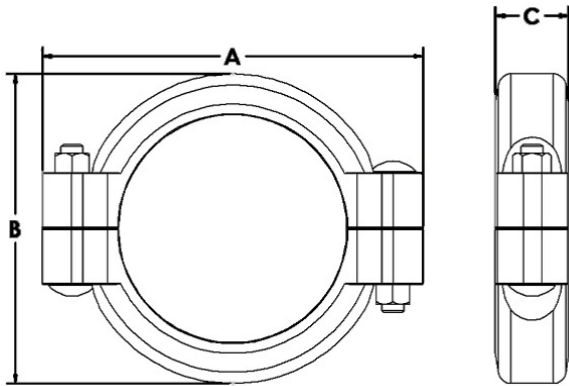
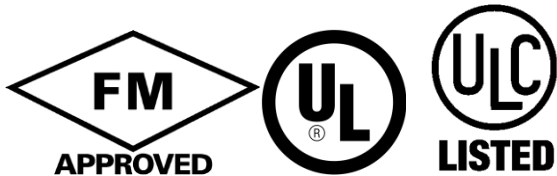


Morrill

INDUSTRIES, INC.
Groove Coupling



| Part No. | Pipe | | Coupler Dimensions | | | Bolt | | Max. Working Pressure | Approx. Weight | Allowable Pipe End Separation | Offset from Centerline | |
|----------|------|--------|--------------------|---------|--------|--------------|---------------|-----------------------|----------------|-------------------------------|------------------------|------------------------|
| | Size | O.D. | A | B | C | No. of Bolts | Size Length | | | | Degrees per Coupler | Inches per 20' of Pipe |
| GVC-010 | 1 | 1.32" | 3.450" | 2.320" | 1.870" | 2 | 3/8" x 1-7/8" | 500 psi. | 1.10 lbs. | 1/8" | 4° - 19' | 18.00" |
| GVC-012 | 1.25 | 1.66" | 4.000" | 2.560" | 1.750" | 2 | 3/8" x 1-7/8" | 500 psi. | 1.10 lbs. | 1/8" | 3° - 46' | 15.80" |
| GVC-015 | 1.5 | 1.90" | 4.500" | 2.875" | 1.750" | 2 | 3/8" x 1-7/8" | 500 psi. | 1.50 lbs. | 1/8" | 3° - 11' | 13.40" |
| GVC-020 | 2 | 2.38" | 5.150" | 3.347" | 1.770" | 2 | 3/8" x 1-7/8" | 500 psi. | 1.70 lbs. | 1/8" | 2° - 20' | 9.70" |
| GVC-025 | 2.5 | 2.88" | 5.780" | 3.796" | 1.770" | 2 | 3/8" x 2" | 300 psi. | 2.20 lbs. | 1/8" | 2° - 10' | 9.00" |
| GVC-030 | 3 | 3.50" | 6.550" | 4.370" | 1.800" | 2 | 1/2" x 2-1/2" | 300 psi. | 2.80 lbs. | 1/8" | 1° - 47' | 7.40" |
| GVC-040 | 4 | 4.50" | 8.040" | 5.650" | 1.937" | 2 | 1/2" x 2-3/4" | 300 psi. | 3.70 lbs. | 1/4" | 3° - 0' | 12.60" |
| GVC-050 | 5 | 5.56" | 9.500" | 6.750" | 2.000" | 2 | 5/8" x 3-1/4" | 300 psi. | 5.50 lbs. | 1/4" | 2° - 30' | 10.40" |
| GVC-060 | 6 | 6.63" | 10.866" | 7.866" | 2.000" | 2 | 5/8" x 3-1/4" | 300 psi. | 7.30 lbs. | 1/4" | 2° - 22' | 9.90" |
| GVC-080 | 8 | 8.63" | 13.875" | 10.205" | 2.400" | 2 | 3/4" x 4-1/4" | 300 psi. | 12.80 lbs. | 1/4" | 1° - 40' | 7.00" |
| *GVC-100 | 10 | 10.80" | 16.000" | 13.500" | 2.500" | 2 | 7/8" x 5-1/2" | 800 psi. | 24.60 lbs. | 1/4" | 1° - 20' | 5.60" |
| *GVC-120 | 12 | 12.80" | 18.000" | 15.500" | 2.500" | 2 | 7/8" x 6" | 800 psi. | 27.50 lbs. | 1/4" | 1° - 7' | 4.70" |



- Ductile Iron Fittings conforming to ASTM A-536.
- Items are a Medium Weight Flexible Coupling.
- *Items are a Standard Flexible Coupling.
- Couplings are supplied with EPDM Gaskets and Two (2) Bolts & Nuts.
- Bolts are heat treated and conform to ASTM A-183.
- Nuts conform to A-194.

