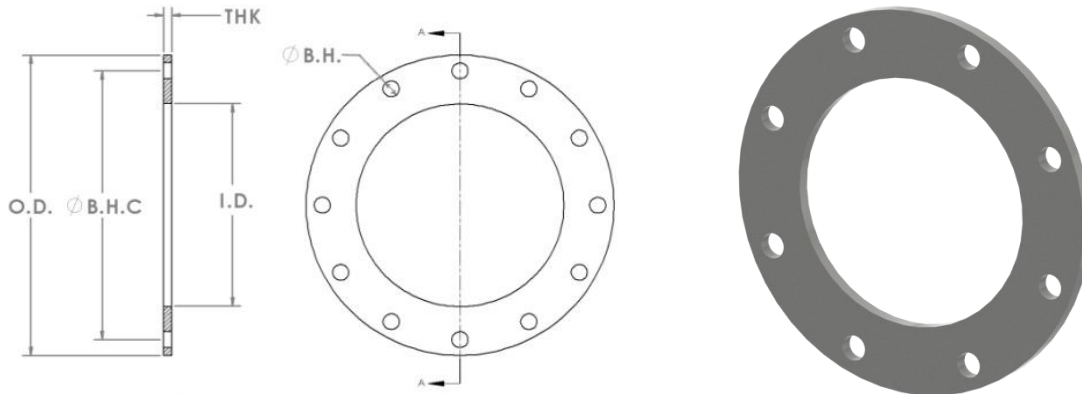




1028 Class D Flanges
AWWA Water Service Rated 150 PSI Flat Faced



Part No.	Pipe Size	O.D.	I.D.	B.H.C. Dia.	B.H. Dia.	No. of B.H.	Thick	Weight	
1028-04D	4"	9.00"	4.06"	7.50"	0.75"	8	0.625"	8.5	
1028-04I			4.57"					8.1	
1028-05D	5"	10.00"	5.06"	8.50"	0.88"			0.688"	9.6
1028-05I			5.66"						9.1
1028-06D	6"	11.00"	6.06"	9.50"			1.00"	0.812"	12.0
1028-06I			6.72"						10.7
1028-08D	8"	13.50"	8.06"	11.75"	1.13"		1.062"		17.1
1028-08I			8.72"						15.7
1028-10D	10"	16.00"	10.06"	14.25"	1.25"	1.125"	22.0		
1028-10I			10.88"				19.3		
1028-12D	12"	19.00"	12.06"	17.00"	1.38"	1.250"	37.9		
1028-12I			12.88"				33.9		
1028-14D	14"	21.00"	14.19"	18.75"	1.38"	1.313"	47.3		
1028-16D	16"	23.50"	16.19"	21.25"			1.63"	1.375"	60.8
1028-18D	18"	25.00"	18.19"	22.75"	1.63"	1.750"			65.2
1028-20D	20"	27.50"	20.19"	25.00"			1.63"	1.875"	81.2
1028-24D	24"	32.00"	24.19"	29.50"	1.88"	2.125"			112.0
1028-28D	28"	36.50"	28.19"	34.00"			1.88"	2.250"	148.0
1028-30D	30"	38.75"	30.19"	36.00"	1.88"	2.250"			169.0
1028-36D	36"	46.00"	36.19"	42.75"			1.88"	2.250"	265.0
1028-42D	42"	53.00"	42.19"	49.50"	1.88"	2.250"			362.0
1028-48D	48"	59.50"	48.19"	56.00"			1.88"	2.250"	457.0
1028-54D	54"	66.25"	54.19"	62.75"	1.88"	2.250"			611.0
1028-60D	60"	73.00"	60.19"	69.25"			1.88"	2.250"	760.0

- Add (S) after 1028 for 304 SST Flanges (i.e. 1028S-10I).
- Steel Flanges conform to AWWA C207-07 Specification.
- 304/304L SST Flanges conform to AWWA C228-08 Specifications.
- Pressure Ratings: 4" – 12" Rated at 175 PSI, 14" and larger Rated for 150 PSI.

