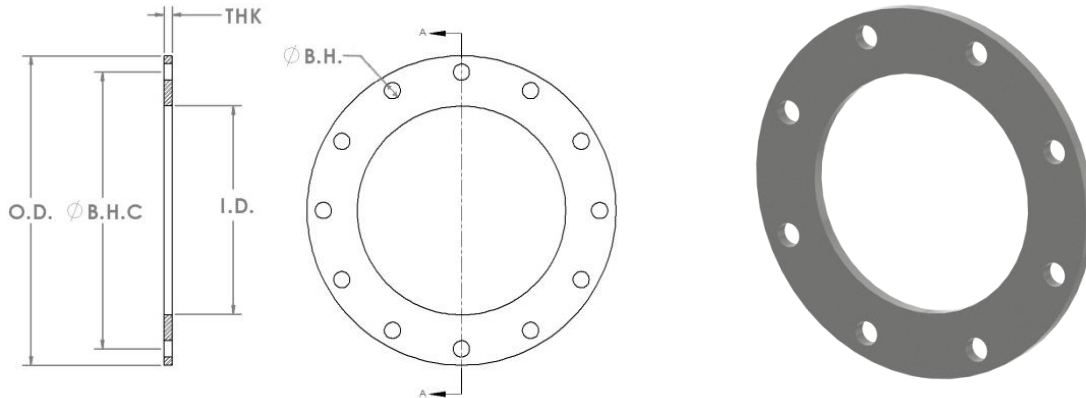




**1020/1025 Light Weight Flanges**  
**Flat Faced 150# Drilling**



Part No.	Pipe Size	O.D.	I.D.	B.H.C. Dia.	B.H. Dia.	No. of B.H.	Thick	Weight		
1020-020D	2" IPS	6.00"	2.06"	4.75"	0.75"	4	0.50"	3.5 lbs.		
1020-025D	2-1/2" IPS	7.00"	2.56"	5.50"				4.5 lbs.		
1020-03D	3" Tube	7.50"	3.06"	6.00"				5.3 lbs.		
1020-03I	3" IPS		3.56"	6.00"				4.7 lbs.		
1020-04D	4" Tube	9.00"	4.06"	7.50"	0.88"	8		6.9 lbs.		
1020-04I	4" IPS		4.57"					6.4 lbs.		
1020-05D	5" Tube	10.00"	5.06"	8.50"				1.00"	12	8.0 lbs.
1020-05I	5" IPS		5.66"							7.2 lbs.
1020-06D	6" Tube	11.00"	6.06"	9.50"						9.0 lbs.
1020-06I	6" IPS		6.72"							8.4 lbs.
1020-08D	8" Tube	13.50"	8.06"	11.75"						12.6 lbs.
1020-08I	8" IPS		8.72"							11.4 lbs.
1020-10D	10" Tube	16.00"	10.06"	14.25"	16.3 lbs.					
1020-10I	10" IPS		10.88"		14.6 lbs.					
1020-12D	12" Tube	19.00"	12.06"	17.00"	22.5 lbs.					
1020-12I	12" IPS		12.88"		21.6 lbs.					

- Add (S) after 1020 for 304 SST Flanges (i.e. 1020S-10I).
- Steel Flange material conforms to ASTM-A 105.
- 304/304L SST Flange material conforms to ASTM-A 182.
- Bolt Holes conform to ASME/ANSI Drilling Class 150.

