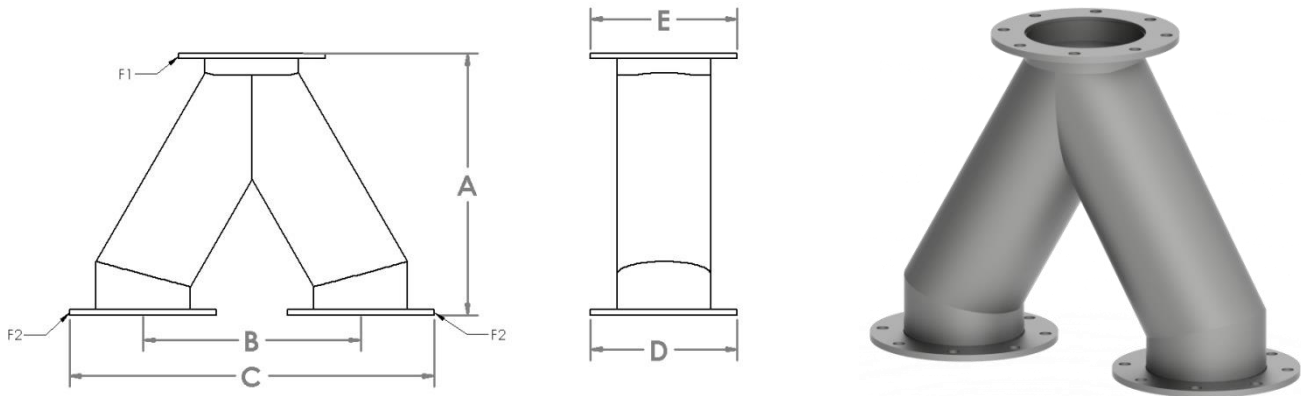


## 1550 – Flanged Wye

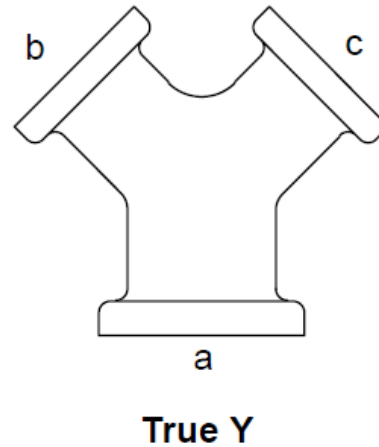
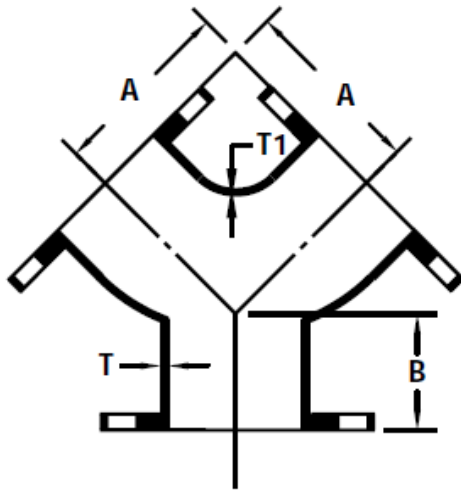


Part No.*	Size (F1 x F2)	Dimensions					Weight
		A	B	C	D	E	
1550-060606	6" X 6"	24.00"	20.00"	31.00"	11.00"	11.00"	75 lbs.
1550-060608	8" X 6"	24.00"	20.00"	31.00"	11.00"	13.50"	82 lbs.
1550-080808	8" X 8"	24.00"	20.00"	33.50"	13.50"	13.50"	97 lbs.
1550-080810	10" X 8"	24.00"	20.00"	33.50"	13.50"	16.00"	106 lbs.
1550-080812	12" X 8"	24.00"	20.00"	33.50"	13.50"	19.00"	115 lbs.
1550-101010	10" X 10"	24.00"	20.00"	36.00"	16.00"	16.00"	124 lbs.
1550-101012	12" X 10"	24.00"	20.00"	36.00"	16.00"	19.00"	134 lbs.

- \*Use G or S after Part to indicate Galvanized or Stainless Steel.
- 10 Gauge Pipe Conforms to ASTM A153 Grade B.
  - 304 S/S Conforms to ASTM A778/A312.
- 1/2" Thick Plate Flanges Conform to ASTM A105.
  - 304 S/S to ASTM A182 with Drill Pattern to ASME/ANSI Class 150.
- Galvanized Coating conforms to ASTM A123.



## 1550-DI - Ductile Iron True Flanged Wye



Part No.*	Size (a x b x c)	Dimensions				Weight
		T	T1	A	B	
1550-DI03	3" x 3" x 3"	0.48"	0.48"	5.50"	2.50"	32.0 lbs.
1550-DI04	4" x 4" x 4"	0.52"	0.52"	6.50"	3.00"	50.0 lbs.
1550-DI060404	6" x 4" x 4"	0.55"	0.52"	8.00"	3.50"	75.0 lbs.
1550-DI06	6" x 6" x 6"	0.55"	0.55"	8.00"	3.50"	80.0 lbs.
1550-DI080606	8" x 6" x 6"	0.60"	0.55"	9.00"	4.50"	120.0 lbs.
1550-DI08	8" x 8" x 8"	0.60"	0.60"	9.00"	4.50"	125.0 lbs.
1550-DI100808	10" x 8" x 8"	0.68"	0.60"	11.00"	5.00"	155.0 lbs.
1550-DI12	12" x 12" x 12"	0.75"	0.75"	12.00"	5.50"	300.0 lbs.
1550-DI16	16" x 16" x 16"	0.70"	0.70"	15.00"	6.50"	456.0 lbs.

- \*Use G or S after Part to indicate Galvanized or Stainless Steel.
- 10 Gauge Pipe Conforms to ASTM A153 Grade B.
  - 304 S/S Conforms to ASTM A778/A312.
- 1/2" Thick Plate Flanges Conform to ASTM A105.
  - 304 S/S to ASTM A182 with Drill Pattern to ASME/ANSI Class 150.
- Galvanized Coating conforms to ASTM A123.

