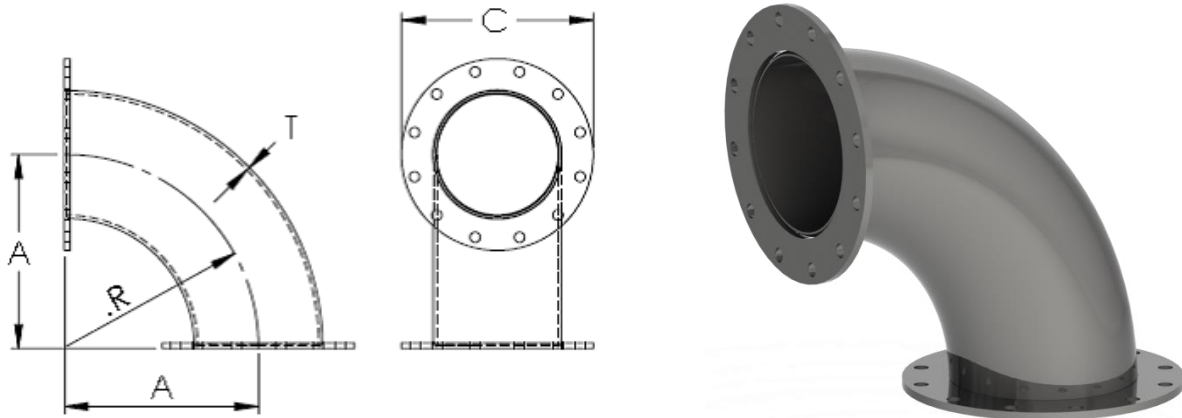


1526 FABRICATED FLANGED 90'S

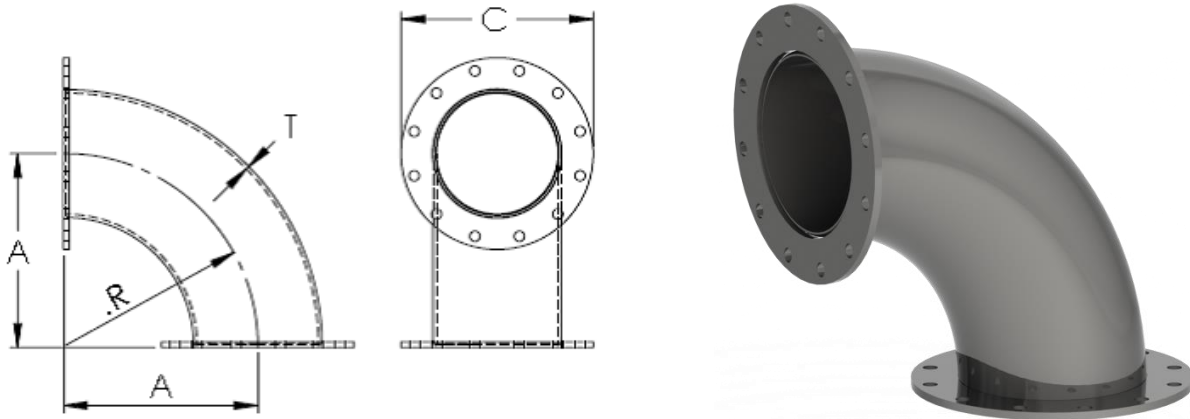


Part No.*	Nom. Pipe Size	Dimensions				Approx. Weight
		A	C	R	T	
1526-03	3"	4.75"	7.50"	4.50"	0.216"	15.0 lbs.
1526-04	4"	6.25"	9.00"	6.00"	0.150"	19.0 lbs.
1526-05	5"	7.75"	10.00"	7.50"	0.258"	31.0 lbs.
1526-06	6"	9.25"	11.00"	9.00"	0.212"	32.0 lbs.
1526-08	8"	12.25"	13.50"	12.00"	0.250"	60.0 lbs.
1526-10	10"	10.25"	16.00"	10.00"	0.250"	67.0 lbs.
1526-12	12"	12.25"	19.00"	12.00"	0.250"	100.0 lbs.
1526-14	14"	14.25"	21.00"	14.00"	0.312"	185.0 lbs.
1526-16	16"	16.25"	23.50"	16.00"	0.312"	249.0 lbs.
1526-18	18"	27.25"	25.00"	27.00"	0.375"	362.0 lbs.
1526-20	20"	30.25"	27.50"	30.00"	0.375"	437.0 lbs.
1526-24	24"	36.25"	32.00"	36.00"	0.375"	725.0 lbs.
1526-30	30"	45.25"	38.75"	45.00"	0.375"	1,111.0 lbs.

- *Use B/E/G/S after Part to indicate Black, Epoxy, Galvanized, or 304 Stainless Steel.
- Butt Weld Long Radius 90° Elbows conform to ASME B16.9.
 - Material conforms to ASTM A-234 Grade B.
- 1/2" Thick Plate Flanges conform to ASTM A105 (3"-12" Sizes).
- AWWA Class B Flanges conform to AWWA C207-13 or C207-86 (14"-20").
- AWWA Class D Flanges conform to AWWA C207-13 or C207-86 (24"-30").
- 304 Stainless Steel Flanges conform to ASTM A182 w/ Drill Pattern to ASME/ANSI Class 150.
- Galvanized Coating conforms to ASTM A123.
- Epoxy Coating conforms to AWWA standards C116, C213 & C5500, Certified ANSI/NSF 61.
- Custom Fabrications are available upon request.
- Exotic Alloy Build available upon request.



1527-DI – DUCTILE IRON FLANGED 90'S



Part No.*	Nom. Pipe Size	Dimensions				Approx. Weight
		A	C	R	T	
1526-DI03	3"	5.50"	7.50"	4.00"	0.48"	25.0 lbs.
1526-DI04	4"	6.50"	9.00"	4.50"	0.52"	45.0 lbs.
1526-DI05	5"	7.50"	10.00"	5.50"	0.88"	52.0 lbs.
1526-DI06	6"	8.00"	11.00"	6.00"	0.55"	65.0 lbs.
1526-DI08	8"	9.00"	13.50"	7.00"	0.60"	105.0 lbs.
1526-DI10	10"	11.00"	16.00"	9.00"	0.68"	165.0 lbs.
1526-DI12	12"	12.00"	19.00"	10.00"	0.75"	235.0 lbs.
1526-DI14	14"	14.00"	21.00"	11.50"	0.66"	290.0 lbs.
1526-DI16	16"	15.00"	23.50"	12.50"	0.70"	370.0 lbs.
1526-DI18	18"	16.50"	25.00"	14.00"	0.75"	450.0 lbs.
1526-DI20	20"	18.00"	27.50"	15.50"	0.80"	580.0 lbs.
1526-DI24	24"	22.00"	32.00"	18.50"	0.89"	900.0 lbs.
1526-DI30	30"	25.00"	38.75"	21.50"	1.03"	1,430.0 lbs.
1526-DI36	36"	28.00"	46.00"	24.50"	1.15"	2,135.0 lbs.
1526-DI42	42"	31.00"	53.00"	27.50"	1.28"	3,055.0 lbs.
1526-DI48	48"	34.00"	59.50"	30.50"	1.42"	4,095.0 lbs.
1526-DI54	54"	39.00"	66.25"	35.42"	0.90"	3,740.0 lbs.
1526-DI60	60"	43.00"	73.00"	-	0.94"	4,965.0 lbs.
1526-DI64	64"	48.00"	80.00"	38.80"	0.99"	6,745.0 lbs.

- 1/2" Thick Plate Flanges conform to ASTM A105 (3"-12" Sizes).
- AWWA Class B Flanges conform to AWWA C207-13 or C207-86 (14"-20").
- AWWA Class D Flanges conform to AWWA C207-13 or C207-86 (24"-30").
- Custom Fabrications are available upon request.
- Exotic Alloy Build available upon request.

