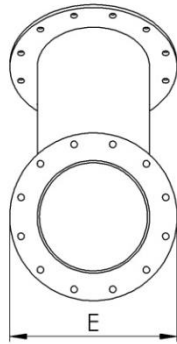
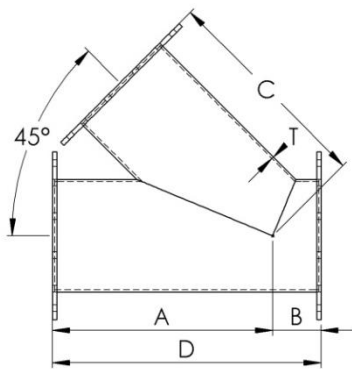


1551 - Fabricated Flanged Lateral Wye

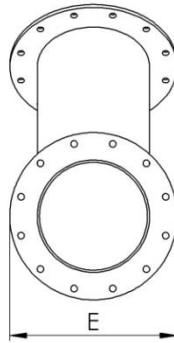
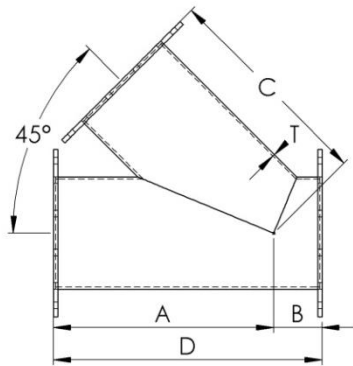


Part No.*	Nom. Pipe Size	Dimensions						Approx. Weight
		A	B	C	D	E	T	
1551-03	3"	10.00"	3.00"	10.00"	13.00"	7.50"	0.216"	-
1551-04	4"	12.00"	3.00"	12.00"	15.00"	9.00"	0.237"	-
1551-05	5"	14.50"	3.50"	14.50"	18.00"	10.00"	0.134"	-
1551-06	6"	14.50"	3.50"	14.50"	18.00"	11.00"	0.134"	-
1551-08	8"	17.50"	4.50"	17.50"	22.00"	13.50"	0.188"	-
1551-10	10"	20.50"	5.00"	20.50"	25.50"	16.00"	0.188"	-
1551-12	12"	24.50"	5.50"	24.50"	30.00"	19.00"	0.188"	-
1551-14	14"	27.00"	6.00"	27.00"	33.00"	21.00"	0.188"	-
1551-16	16"	30.00"	6.50"	30.00"	36.50"	23.50"	0.188"	-
1551-18	18"	32.00"	7.00"	32.00"	39.00"	25.00"	0.250"	-
1551-20	20"	35.00"	8.00"	35.00"	43.00"	27.50"	0.250"	-
1551-24	24"	40.50"	9.00"	40.50"	49.50"	32.00"	0.250"	-
1551-30	30"	52.50"	18.25"	52.50"	70.75"	38.75"	0.375"	-

- *Use B/E/G/S after Part Number to indicate Black, Epoxy, Galvanized, or 304 SST.
- Carbon Steel Pipe conforms to ASTM A153 Grade B.
- 304/304L SST Pipe conforms to ASTM A778/A312.
 - Stainless Fittings use a Schedule 10 pipe thickness.
- 1/2" Thick Plate Flanges conform to ASTM A105 (3"-12" Sizes).
- AWWA Class B Flanges conform to AWWA C207-13 or C207-86 (14"-20").
- AWWA Class D Flanges conform to AWWA C207-13 or C207-86 (24"-30").
- 304 SST Flanges conform to ASTM A182.
 - Drill Pattern to ASME/ANSI Class 150.
- Galvanized Coating conforms to ASTM A123.
- Epoxy Coating conforms to AWWA standards C116, C213 & C5500, certified ANSI/NSF 61.
- Custom Fabrications are available upon request.
- Exotic Alloy Build is available upon request.



1551-DI - Ductile Iron Flanged Lateral Wye



Part No.*	Nom. Pipe Size	Dimensions						Approx. Weight
		A	B	C	D	E	T	
1551-DI03	3"	10.00"	3.00"	10.00"	13.00"	7.50"	0.48"	45.0 lbs.
1551-DI04	4"	12.00"	3.00"	12.00"	15.00"	9.00"	0.52"	75.0 lbs.
1551-DI06	6"	14.50"	3.50"	14.50"	18.00"	11.00"	0.55"	120.0 lbs.
1551-DI08	8"	17.50"	4.50"	17.50"	22.00"	13.50"	0.60"	200.0 lbs.
1551-DI10	10"	20.50"	5.00"	20.50"	25.50"	16.00"	0.68"	335.0 lbs.
1551-DI12	12"	24.50"	5.50"	24.50"	30.00"	19.00"	0.75"	515.0 lbs.
1551-DI14	14"	27.00"	6.00"	27.00"	33.00"	21.00"	0.66"	605.0 lbs.
1551-DI16	16"	30.00"	6.50"	30.00"	36.50"	23.50"	0.70"	805.0 lbs.
1551-DI18	18"	32.00"	7.00"	32.00"	39.00"	25.00"	0.75"	980.0 lbs.
1551-DI20	20"	35.00"	8.00"	35.00"	43.00"	27.50"	0.80"	1,265.0 lbs.
1551-DI24	24"	40.50"	9.00"	40.50"	49.50"	32.00"	0.89"	1,905.0 lbs.

- 1/2" Thick Plate Flanges conform to ASTM A105 (3"-12" Sizes).
- AWWA Class B Flanges conform to AWWA C207-13 or C207-86 (14"-20").
- AWWA Class D Flanges conform to AWWA C207-13 or C207-86 (24"-30").
- 304 SST Flanges conform to ASTM A182.
 - Drill Pattern to ASME/ANSI Class 150.
- Custom Fabrications are available upon request.
- Exotic Alloy Build is available upon request.

