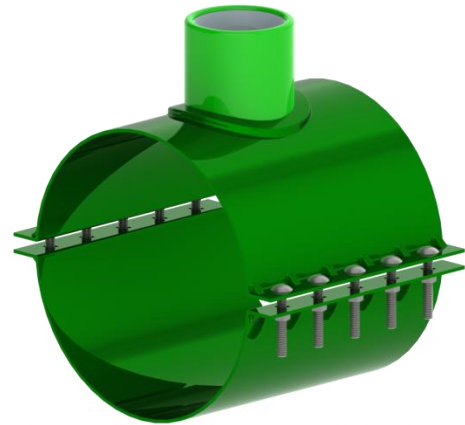
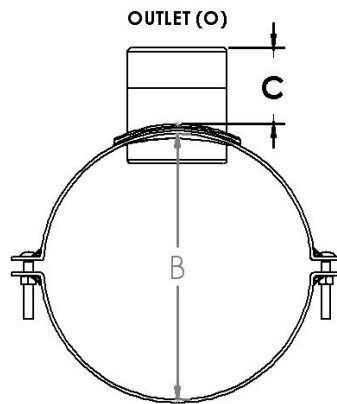
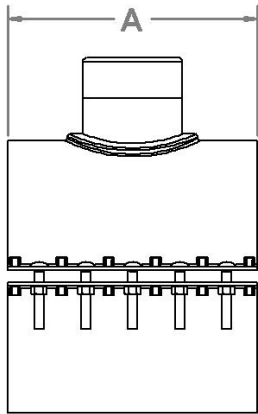


1095 Clamp On Saddles



Part No.	Nom. Pipe Size (B)*	Outlet (O)	Dimensions		Approx. Weight
			A	C**	
1095-05P3E	5"	3" FIPT	10.00"	3.50"	10.0 lbs.
1095-05P4E	5"	4" FIPT	10.00"	3.50"	11.0 lbs.
1095-06P3E	6"	3" FIPT	10.00"	3.50"	11.0 lbs.
1095-06P4E	6"	4" FIPT	10.00"	3.50"	12.0 lbs.
1095-08P3E	8"	3" FIPT	10.00"	3.50"	13.0 lbs.
1095-08P4E	8"	4" FIPT	10.00"	3.50"	14.0 lbs.
1095-08P6E	8"	6" FIPT	10.00"	4.00"	15.0 lbs.
1095-10P3E	10"	3" FIPT	10.00"	3.25"	15.0 lbs.
1095-10P4E	10"	4" FIPT	10.00"	3.25"	16.0 lbs.
1095-10P6E	10"	6" FIPT	10.00"	4.50"	19.0 lbs.
1095-12P3E	12"	3" FIPT	10.00"	3.25"	17.0 lbs.
1095-12P4E	12"	4" FIPT	10.00"	3.25"	18.0 lbs.
1095-12P6E	12"	6" FIPT	10.00"	4.50"	22.0 lbs.
1095-15P3E	15"	3" FIPT	10.00"	3.25"	20.0 lbs.
1095-15P4E	15"	4" FIPT	10.00"	3.25"	21.0 lbs.
1095-15P6E	15"	6" FIPT	10.00"	4.50"	25.0 lbs.

- *Fittings are used for PVC Pipe (IPS & PIP), Standard Pipe, Steel and Aluminum tubing and some transite pipe sizes.
- Body Material is constructed of Carbon Steel.
- Outlet Material is constructed of Carbon Steel Pipe conforming to ASTM A53.
- Outlet Connection (O) is FIPT, Female Pipe Thread conforming to ASTM A865.
- Threads conform to ANSI B1.20.1.
- Gasket Seal Material is EPDM.
- Bodies are Epoxy Coated to AWWA Standards C116, C213 & C5500. Certified ANSI/NSF 61.
- Carriage Bolts are 3/8" x 2-1/2" Zinc Plated/ 18-8 Stainless Steel Available.
- Pressure Rating of 125 psi.
- **Dimension C may have variance of +/- 0.50".
- Hex Bushings are available for FIPT sizes not shown.

