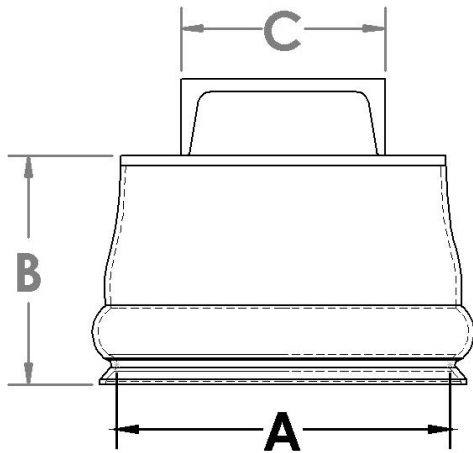


545 Circle Lock End Cap



Part No.	Nom. Pipe Size (A)	Dimension		Material Gauge	Approx. Weight
		B	C		
545-05G	5.000"	5.125"	5.000"	14 GA.	3 lbs.
545-06G	6.000"	5.500"	5.000"	14 GA.	5 lbs.
545-08G	8.000"	5.500"	5.000"	12 GA.	7 lbs.
545-10G	10.000"	5.500"	5.000"	12 GA.	10 lbs.
545-12G	12.000"	6.000"	5.000"	12 GA.	15 lbs.

- Circle Lock End Cap.
- Carbon Steel Fabrication.
- Galvanized Coating Conforms to ASTM A-123.
- Includes Round back Gasket.
- Circle Lock Ring Lock (Part No.'s 560) Sold Separately.

