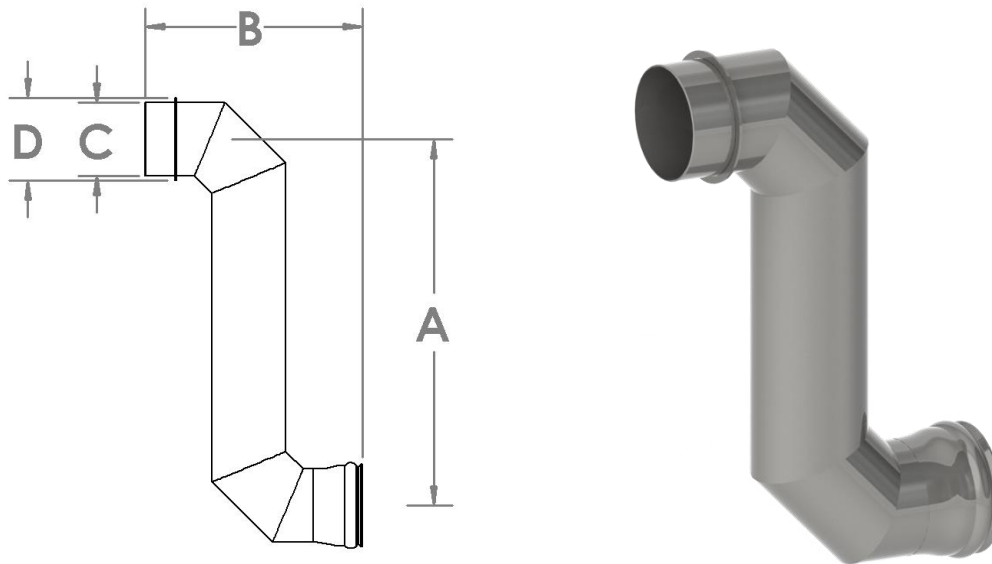


535 Circle Lock Gooseneck Male x Female



Part No.	Nom. Pipe Size (C)	Dimension			Approx. Weight
		A	B	D	
535-05G	5"	40"	18.875"	6.000"	27 lbs.
535-06G	6"	40"	19.250"	7.000"	32 lbs.
535-08G	8"	40"	23.500"	9.062"	47 lbs.
535-10G	10"	40"	23.500"	11.125"	56 lbs.
535-12G	12"	40"	27.000"	13.188"	72 lbs.

- Circle Lock Male x Circle Lock Female Gooseneck.
- Carbon Steel Fabrication.
- Galvanized Coating Conforms to ASTM A-123.
- Includes Round back Gasket.
- Circle Lock Ring Lock (Part No.'s 560) Sold Separately.

