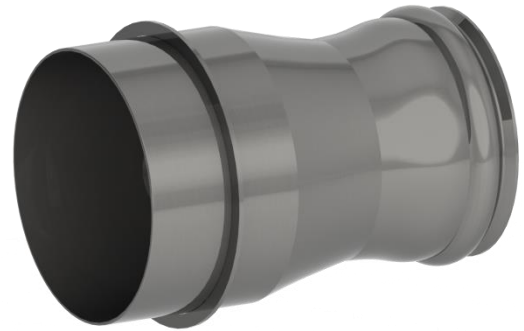
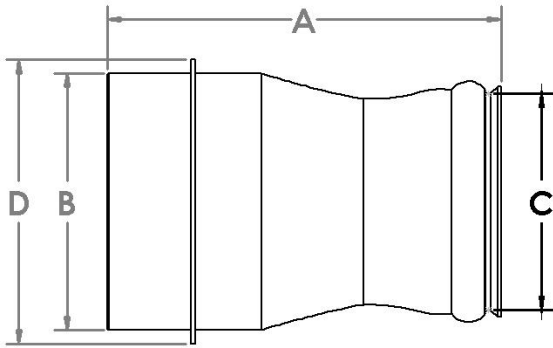


515 Circle Lock Reducer



Part No.	Nominal Pipe Size (B)	Nominal Pipe Size (C)	Dimension		Approx. Weight
			A	D	
515-0605G	6"	5"	12.875"	7.000"	8 lbs.
515-0806G	8"	6"	15.250"	9.062"	11 lbs.
515-1006G	10"	6"	17.250"	11.125"	17 lbs.
515-1008G	10"	8"	15.250"	11.125"	17 lbs.
515-1208G	12"	8"	17.250"	13.188"	18 lbs.
515-1210G	12"	10"	15.250"	13.188"	19 lbs.

- Circle Lock Male x Circle Lock Female Reducer.
- Carbon Steel Fabrication.
- Galvanized Coating Conforms to ASTM A-123.
- Includes Round back Gasket.
- Circle Lock Ring Lock (Part No.'s 560) Sold Separately.

