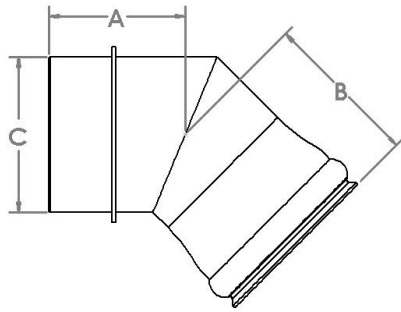
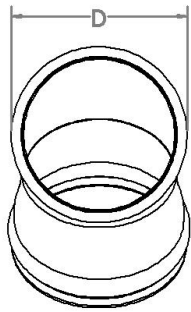


510 Circle Lock 45° Elbow



Part No.	Nominal Pipe Size (C)	Dimension			Approx. Weight
		A	B	D	
510-05G	5"	6.000"	7.125"	6.000"	6 lbs.
510-06G	6"	6.000"	7.500"	7.000"	8 lbs.
510-08G	8"	7.000"	8.000"	9.062"	12 lbs.
510-10G	10"	7.000"	8.000"	11.125"	17 lbs.
510-12G	12"	8.000"	9.000"	13.188"	26 lbs.

- Circle Lock Male x Circle Lock Female 45° Elbow.
- Carbon Steel Fabrication.
- Galvanized Coating Conforms to ASTM A-123.
- Includes Round back Gasket.
- Circle Lock Ring Lock (Part No.'s 560) Sold Separately.

