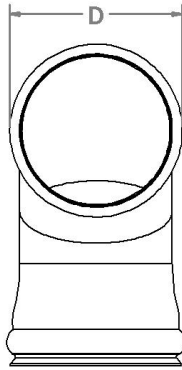
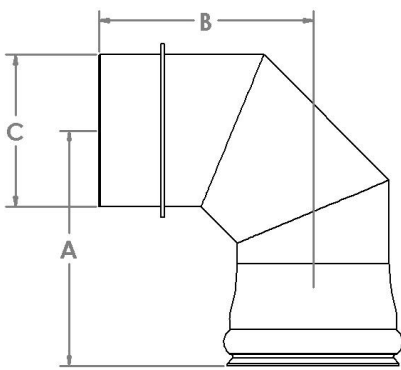


505 Circle Lock 90° Elbow



Part No.	Nominal Pipe Size (C)	Dimension			Approx. Weight
		A	B	D	
505-05G	5"	10.000	8.875	6.000	7 lbs.
505-06G	6"	10.375	8.875	7.000	10 lbs.
505-08G	8"	12.250	11.250	9.062	17 lbs.
505-10G	10"	12.250	11.250	11.125	22 lbs.
505-12G	12"	14.000	13.000	13.188	30 lbs.

- Circle Lock Male x Circle Lock Female 90° Elbow.
- Carbon Steel Fabrication.
- Galvanized Coating Conforms to ASTM A-123.
- Includes Round Back Gasket.
- Circle Lock Ring Lock (Part No.'s 560) Sold Separately.

