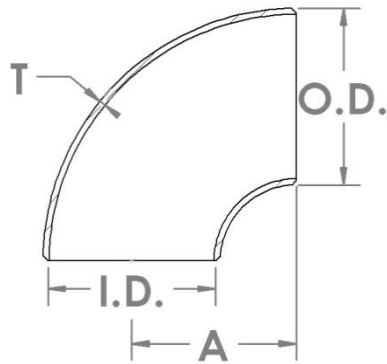


Butt Weld Short Radius 90° Elbows



Part No.	Nominal Pipe Size	Outside Diameter	Inside Diameter	Wall Thickness (T)	Center To End (A)	Pipe Schedule	Weight
204-012	1-1/4"	1.660"	1.380"	0.140"	1.250"	40	0.39 lbs.
204-015	1-1/2"	1.900"	1.610"	0.145"	1.500"	40	0.53 lbs.
204-020	2"	2.380"	2.070"	0.154"	2.000"	40	0.97 lbs.
204-025	2-1/2"	2.880"	2.470"	0.203"	2.500"	40	2.00 lbs.
204-030	3"	3.500"	3.070"	0.216"	3.000"	40	3.00 lbs.
204-035	3-1/2"	4.000"	3.550"	0.226"	3.500"	40	4.30 lbs.
204-040	4"	4.500"	4.030"	0.237"	4.000"	40	6.10 lbs.
204-050	5"	5.560"	5.050"	0.258"	5.000"	40	9.70 lbs.
204-060	6"	6.630"	6.070"	0.280"	6.000"	40	16.70 lbs.
204-080	8"	8.630"	7.980"	0.322"	8.000"	40	32.40 lbs.
204-100	10"	10.750"	10.020"	0.365"	10.000"	40	56.30 lbs.
204-120	12"	12.750"	12.000"	0.375"	12.000"	*	79.40 lbs.
204-140	14"	14.000"	13.250"	0.375"	14.000"	30	104.00 lbs.
204-160	16"	16.000"	15.250"	0.375"	16.000"	30	129.00 lbs.
204-180	18"	18.000"	17.250"	0.375"	18.000"	*	163.00 lbs.
204-200	20"	20.000"	19.250"	0.375"	20.000"	20	210.00 lbs.
204-240	24"	24.000"	23.250"	0.375"	24.000"	20	297.00 lbs.
204-300	30"	30.000"	29.250"	0.375"	30.000"	*	480.00 lbs.
204-360	36"	36.000"	35.250"	0.375"	36.000"	*	692.00 lbs.
204-420	42"	42.000"	41.250"	0.375"	42.000"	*	967.00 lbs.
204-480	48"	48.000"	47.250"	0.375"	48.000"	*	1340.00 lbs.

- Dimensions conform to ASME B16.9.
- Material conforms to ASTM A-234 Grade B
- *Size and Thickness does not correspond to any pipe schedule number.

