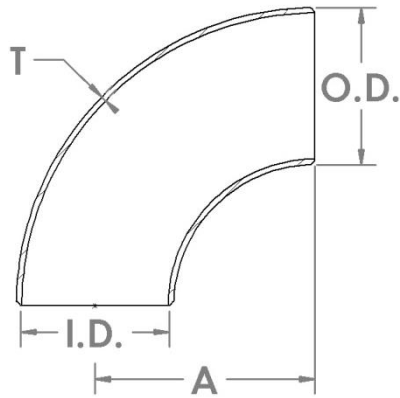


Butt Weld Long Radius 90° Elbow



Part No.	Nominal Pipe Size	Outside Diameter	Inside Diameter	Wall Thickness (T)	Center To End (A)	Pipe Schedule	Weight
205-005	1/2"	0.840"	0.620"	0.109"	1.500"	40	0.16 lbs.
205-007	3/4"	1.050"	0.820"	0.113"	1.500"	40	0.17 lbs.
205-010	1"	1.320"	1.050"	0.133"	1.500"	40	0.40 lbs.
205-012	1-1/4"	1.660"	1.380"	0.140"	1.880"	40	0.55 lbs.
205-015	1-1/2"	1.900"	1.610"	0.145"	2.250"	40	0.80 lbs.
205-020	2"	2.380"	2.070"	0.154"	3.000"	40	1.60 lbs.
205-025	2-1/2"	2.880"	2.470"	0.203"	3.750"	40	3.20 lbs.
205-030	3"	3.500"	3.070"	0.216"	4.500"	40	4.80 lbs.
205-035	3-1/2"	4.000"	3.550"	0.226"	5.250"	40	6.60 lbs.
205-040	4"	4.500"	4.030"	0.237"	6.000"	40	8.90 lbs.
205-050	5"	5.560"	5.050"	0.258"	7.500"	40	15.10 lbs.
205-060	6"	6.620"	6.070"	0.280"	9.000"	40	24.00 lbs.
205-080	8"	8.620"	7.980"	0.322"	12.000"	40	47.80 lbs.
205-100	10"	10.750"	10.020"	0.365"	15.000"	40	83.40 lbs.
205-120	12"	12.750"	12.000"	0.375"	18.000"	*	123.00 lbs.
205-140	14"	14.000"	13.250"	0.375"	21.000"	30	155.00 lbs.
205-160	16"	16.000"	15.250"	0.375"	24.000"	30	206.00 lbs.
205-180	18"	18.000"	17.250"	0.375"	27.000"	*	262.00 lbs.
205-200	20"	20.000"	19.250"	0.375"	30.000"	20	324.00 lbs.
205-240	24"	24.000"	23.250"	0.375"	36.000"	20	466.00 lbs.
205-300	30"	30.000"	29.250"	0.375"	45.000"	*	720.00 lbs.
205-360	36"	36.000"	35.250"	0.375"	54.000"	*	1039.00 lbs.
205-420	42"	42.000"	41.250"	0.375"	63.000"	*	1420.00 lbs.
205-480	48"	48.000"	47.250"	0.375"	72.000"	*	2000.00 lbs.

- Dimensions conform to ASME B16.9.
- Material conforms to ASTM A-234 Grade B.
- *Size and Thickness does not correspond to any pipe schedule number.

