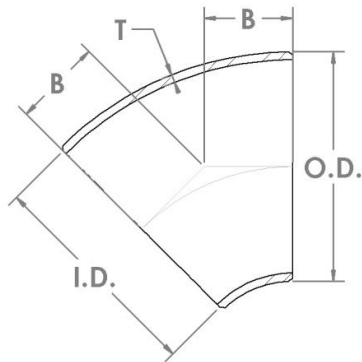


Butt Weld 45° Elbow



Part No.	Nominal Pipe Size	Outside Diameter	Inside Diameter	Wall Thickness (T)	Center To End (B)	Pipe Schedule	Weight
210-005	1/2"	0.840"	0.620"	0.109"	0.620"	40	0.09 lbs.
210-007	3/4"	1.050"	0.820"	0.113"	0.750"	40	0.10 lbs.
210-010	1"	1.320"	1.050"	0.133"	0.880"	40	0.22 lbs.
210-012	1-1/4"	1.660"	1.380"	0.14"	1.000"	40	0.33 lbs.
210-015	1-1/2"	1.900"	1.610"	0.145"	1.120"	40	0.43 lbs.
210-020	2"	2.380"	2.070"	0.154"	1.380"	40	0.85 lbs.
210-025	2-1/2"	2.880"	2.470"	0.203"	1.750"	40	1.70 lbs.
210-030	3"	3.500"	3.070"	0.216"	2.000"	40	2.50 lbs.
210-035	3-1/2"	4.000"	3.550"	0.226"	2.250"	40	3.40 lbs.
210-040	4"	4.500"	4.030"	0.237"	2.500"	40	4.50 lbs.
210-050	5"	5.560"	5.050"	0.258"	3.120"	40	7.50 lbs.
210-060	6"	6.620"	6.060"	0.28"	3.750"	40	11.70 lbs.
210-080	8"	8.620"	7.980"	0.322"	5.000"	40	23.30 lbs.
210-100	10"	10.750"	10.020"	0.365"	6.250"	40	40.90 lbs.
210-120	12"	12.750"	12.000"	0.375"	7.500"	*	61.40 lbs.
210-140	14"	14.000"	13.250"	0.375"	8.750"	30	78.10 lbs.
210-160	16"	16.000"	15.250"	0.375"	10.000"	30	101.00 lbs.
210-180	18"	18.000"	17.250"	0.375"	11.250"	*	128.00 lbs.
210-200	20"	20.000"	19.250"	0.375"	12.500"	20	159.00 lbs.
210-240	24"	24.000"	23.250"	0.375"	15.000"	20	231.00 lbs.
210-300	30"	30.000"	29.250"	0.375"	18.500"	*	358.00 lbs.
210-360	36"	36.000"	35.250"	0.375"	22.250"	*	518.00 lbs.
210-420	42"	42.000"	41.250"	0.375"	26.000"	*	707.00 lbs.
210-480	48"	48.000"	47.250"	0.375"	29.880"	*	1000.00 lbs.

- Dimensions conform to ASME B16.9.
- Material conforms to ASTM A-234 Grade B.
- *Size and Thickness does not correspond to any pipe schedule number.

