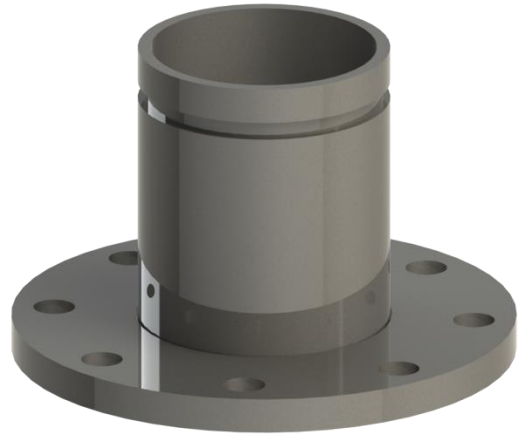
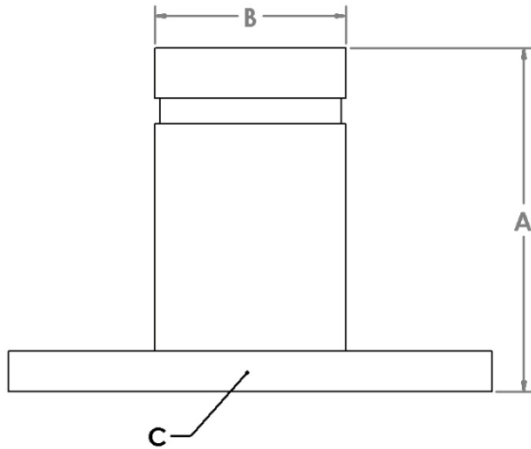


1524 Flange x Groove Adapters



Part No.	Length (A)	Nominal Pipe Size (B)	Flange Size (C)	Weight
1524-02	4-1/4"	2"	2"	6.20 lbs.
1524-025		2-1/2"	2-1/2"	6.65 lbs.
1524-03		3"	3"	7.53 lbs.
1524-04		4"	4"	10.60 lbs.
1524-05		5"	5"	12.60 lbs.
1524-06		6"	6"	14.60 lbs.
1524-08		8"	8"	20.30 lbs.
1524-10		10"	10"	26.80 lbs.
1524-12		12"	12"	37.55 lbs.

- The 1524 Adapters use the Morrill Industries Series 1020 Plate Flanges and Groove x Plain End Adapters.
- All parts listed are available with; Galvanized, Epoxy, Black (no coating) and 304L/316 Stainless Steel upon request.
- Use E/G/S/S316 after the Part No. to indicate coating or material.
- Other sizes and combinations are available upon request.

