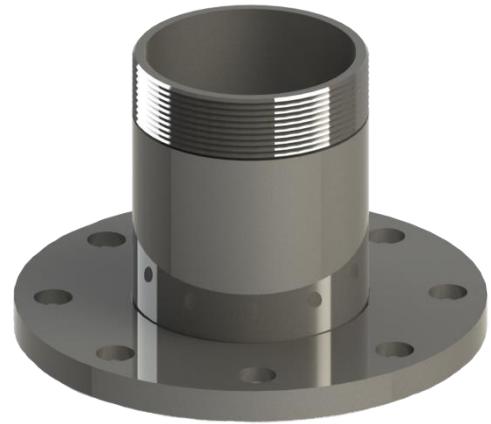
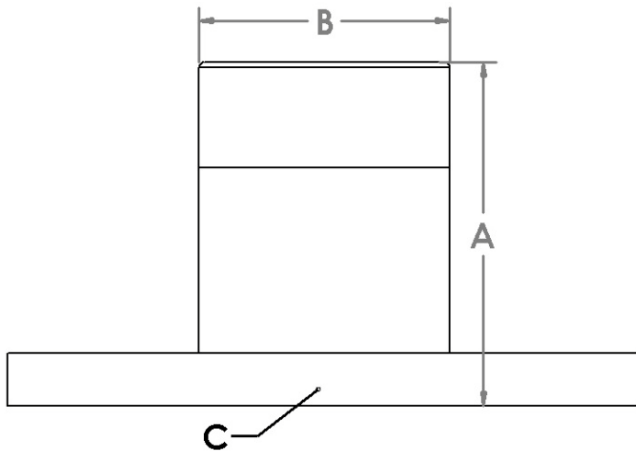


1523 Flange x MIPT Adapters



Part No.	Length (A)	MIPT Size (B)	Flange Size (C)	Weight
1523-02	3-1/4"	2"	2"	0.91 lbs.
1523-025		2-1/2"	2-1/2"	1.70 lbs.
1523-03	4-1/4"	3"	3"	2.53 lbs.
1523-04		4"	4"	3.60 lbs.
1523-05	6-1/4"	5"	5"	7.31 lbs.
1523-06		6"	6"	9.50 lbs.
1523-08		8"	8"	10.80 lbs.
1523-10		10"	10"	13.45 lbs.
1523-12		12"	12"	18.75 lbs.

- 1523 Adapters use Morrill Industries Series 1020 Plate Flanges and Threaded Half Nipples.
- All parts listed are available with; Galvanized, Epoxy, Black (no coating) and 304L/316 Stainless Steel upon request.
- Use E/G/S/S316 after the Part No. to indicate coating or material.
- Other sizes and combinations are available upon request.

