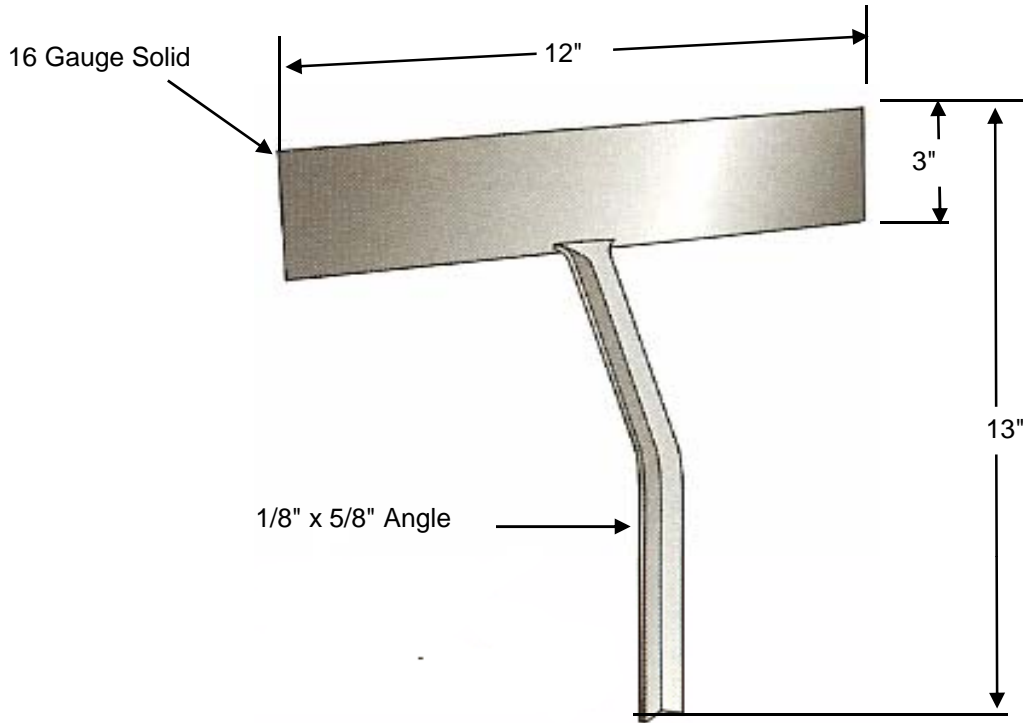


**Morrell**  
INDUSTRIES, INC.  
IRRIGATION EQUIPMENT MANUFACTURING

1099-F RISER MOUNT  
STRAIGHT SOLID  
ROAD GUARD  
CARBON STEEL  
GALVANIZED PLATED



PART #	DESCRIPTION	WEIGHT EACH
1099-F	Riser Mount Straight Solid	1.08 lbs

**Galvanizing - After all welding is complete. The complete unit is hot dipped galvanize conforming to ASTM 123 specifications**

Customer
Project
Engineer
Architect:
PO#

