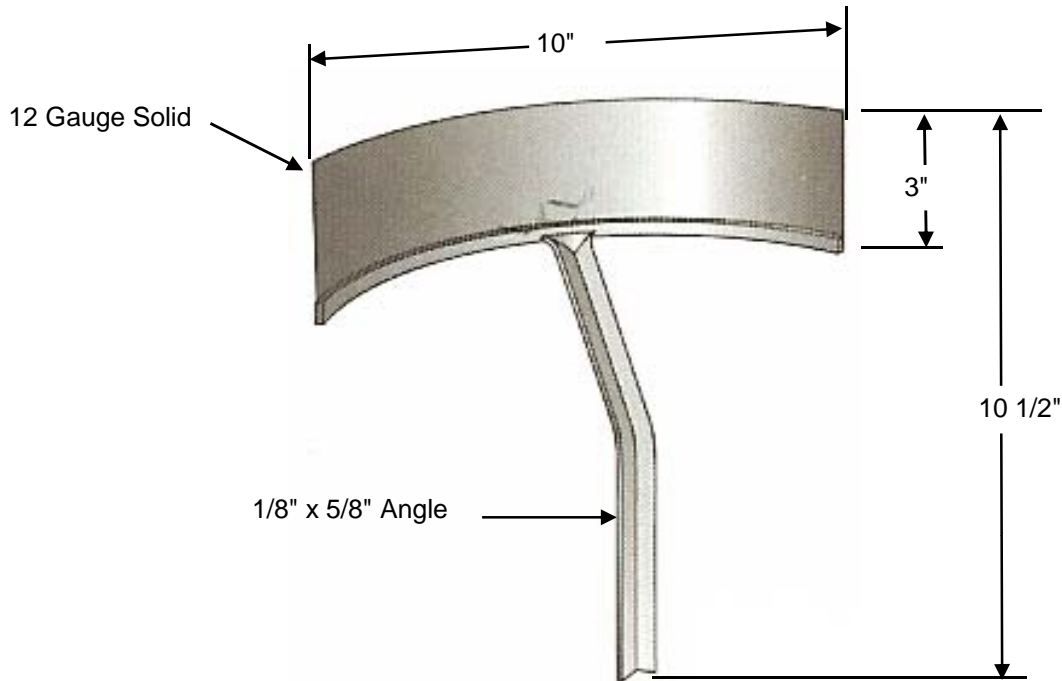


**Morrrill**  
INDUSTRIES, INC.  
IRRIGATION EQUIPMENT MANUFACTURING

**1099-B RISER MOUNT  
CURVED SOLID  
ROAD GUARD  
CARBON STEEL  
GALVANIZED PLATED**



PART #	DESCRIPTION	WEIGHT EACH
1099-B	Riser Mount Curved Solid	1.56 lbs

**Galvanizing - After all welding is complete. The complete unit is hot dipped galvanize conforming to ASTM 123 specifications**

Customer
Project
Engineer
Architect:
PO#

