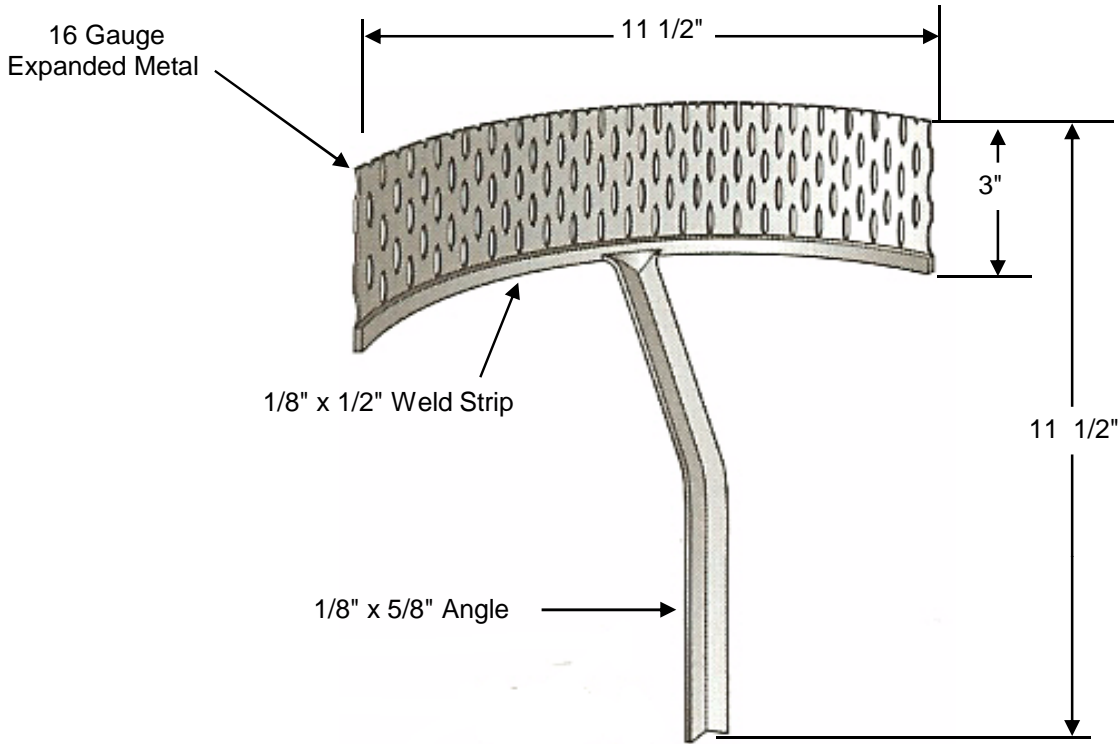


Morrrill
 INDUSTRIES, INC.
 IRRIGATION EQUIPMENT MANUFACTURING

**1099-A RISER MOUNT
 CURVED PERFORATED
 ROAD GUARD
 CARBON STEEL
 GALVANIZED PLATED**



PART #	DESCRIPTION	WEIGHT EACH
1099-A	Riser Mount Curved Perforated	.82 lbs

Galvanizing - After all welding is complete. The complete unit is hot dipped galvanize conforming to ASTM 123 specifications

Customer
Project
Engineer
Architect:
PO#

