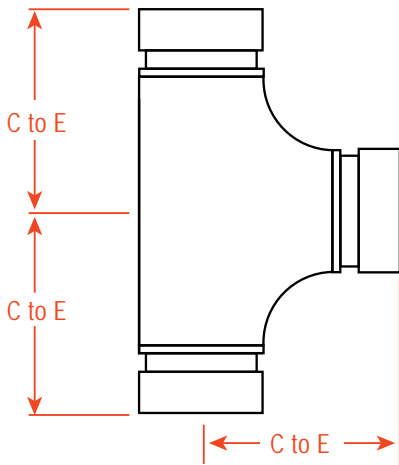


FEATURES:

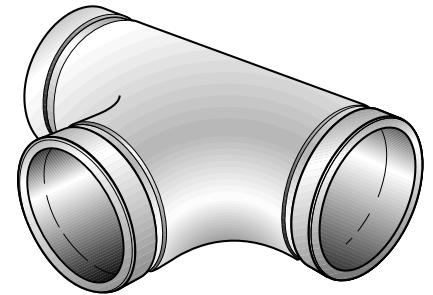
- EDPM GASKETS are designed for water service, to dilute acids, alkalis, oil-free air and many chemical service applications. EDPM GASKETS are NOT FOR USE in Petroleum service applications.
- NITRILE GASKETS: are available for petroleum products, air with oil vapor, as well as vegetable and/or mineral oil applications. NITRILE GASKETS are NOT FOR USE in Hot Water or Hot Air - (40°F to +230°F) service applications.
- BOLTS: Heat treated oval neck.
- NUTS: Heavy Hex, not plated.



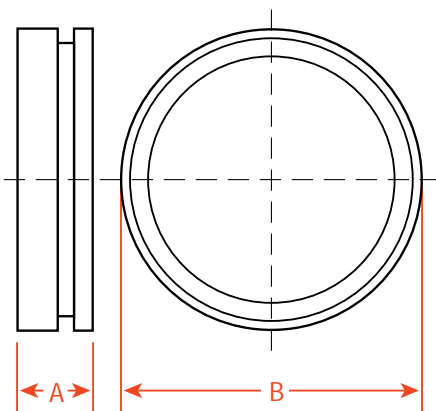
GROOVE FITTINGS - REGULAR TEES

PART NUMBER	PIPE SIZE	C to E INCHES	WEIGHT EACH
GT-0150	1 1/2"	2.75"	1.8 lbs.
GT-0200	2"	3.25"	3.2 lbs.
GT-0250	2 1/2"	3.75"	4.5 lbs.
GT-0300	3"	4.25"	5.9 lbs.
GT-0400	4"	5.00"	11.0 lbs.
GT-0500	5"	5.50"	16.3 lbs.
GT-0600	6"	6.50"	24.0 lbs.
GT-0800	8"	7.75"	40.0 lbs.

Ductile Iron - Maximum Working Pressure to 1000 psi



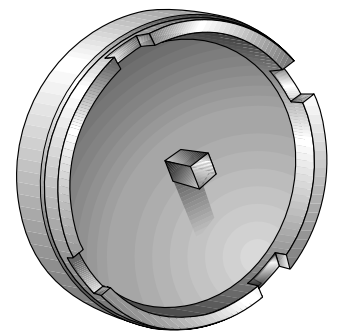
Regular Groove Tee



GROOVE FITTINGS - END CAPS

PART NUMBER	PIPE SIZE	MEASURE A	MEASURE B	WEIGHT EACH
GC-112	1 1/2"	.94"	1.90"	.5 lbs.
GC-2	2"	.94"	2.38"	.6 lbs.
GC-212	2 1/2"	.94"	2.88"	.8 lbs.
GC-3	3"	1.03"	3.50"	1.2 lbs.
GC-4	4"	1.31"	4.50"	2.1 lbs.
GC-5	5"	1.50"	5.56"	3.3 lbs.
GC-6	6"	1.56"	6.62"	4.9 lbs.
GC-8	8"	1.94"	8.62"	8.7 lbs.
GC-10	10"	2.34"	10.75"	14 lbs.
GC-12	12"	2.56"	12.75"	21 lbs.

Ductile Iron - Maximum Working Pressure to 1000 psi



Grooved Cap

Customer:
Project:
Engineer:
Architect:
PO#: