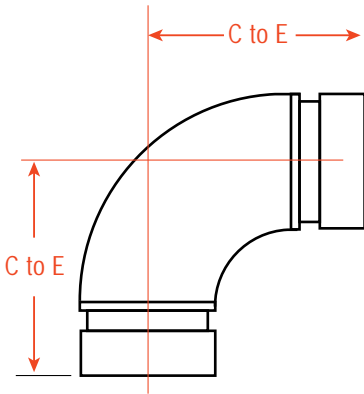


FEATURES:

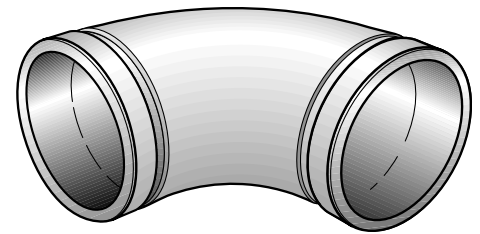
- EDPM GASKETS are designed for water service, to dilute acids, alkalis, oil-free air and many chemical service applications. EDPM GASKETS are NOT FOR USE in Petroleum service applications.
- NITRILE GASKETS: are available for petroleum products, air with oil vapor, as well as vegetable and/or mineral oil applications. NITRILE GASKETS are NOT FOR USE in Hot Water or Hot Air - (40°F to +230°F) service applications.
- BOLTS: Heat treated oval neck.
- NUTS: Heavy Hex, not plated.



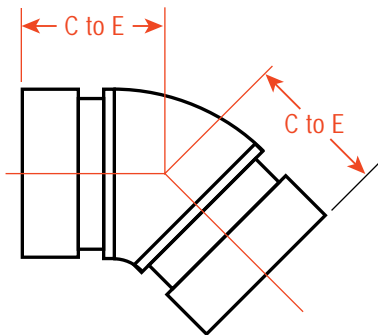
GROOVE FITTINGS - 90° ELBOWS

PART NUMBER	PIPE SIZE	C to E INCHES	WEIGHT EACH
G90-0150	1 1/2"	2.75"	1.2 lbs.
G90-0200	2"	3.25"	2.1 lbs.
G90-0250	2 1/2"	3.75"	3.0 lbs.
G90-0300	3"	4.25"	4.7 lbs.
G90-0400	4"	5.00"	7.3 lbs.
G90-0500	5"	5.50"	12.0 lbs.
G90-0600	6"	6.50"	17.4 lbs.
G90-0800	8"	7.75"	31.9 lbs.
G90-1000	10"	9.00"	50.0 lbs.

Ductile Iron - Maximum Working Pressure to 1000 psi



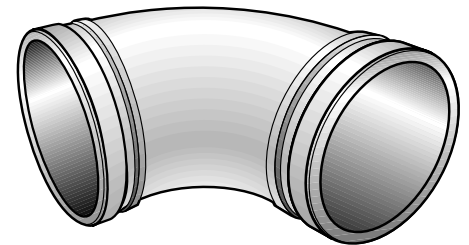
Regular 90° Elbow



GROOVE FITTINGS - 90° ELBOWS

PART NUMBER	PIPE SIZE	C to E INCHES	WEIGHT EACH
G45-0150	1 1/2"	1.75"	1.0 lbs.
G45-0200	2"	2"	1.9 lbs.
G45-0250	2 1/2"	2.25"	2.7 lbs.
G45-0300	3"	2.5"	4.2 lbs.
G45-0400	4"	3"	6.6 lbs.
G45-0500	5"	3.25"	8.4 lbs.
G45-0600	6"	3.5"	15.7 lbs.
G45-0800	8"	4.25"	20.4 lbs.
G45-1000	10"	4.75"	37.5 lbs.

Ductile Iron - Maximum Working Pressure to 1000 psi



Short 45° Elbow

Customer:
Project:
Engineer:
Architect:
PO#: