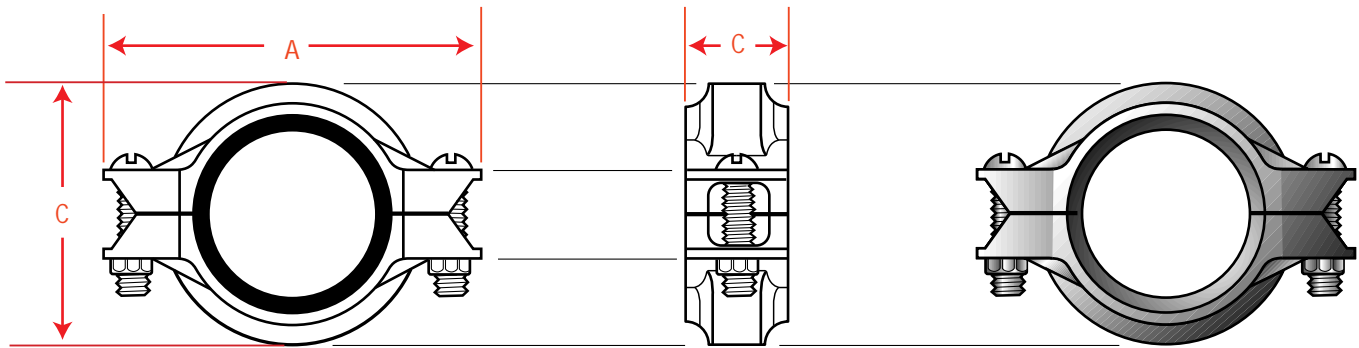


FEATURES:

- EDPM GASKETS are designed for water service, to dilute acids, alkalis, oil-free air and many chemical service applications. EDPM GASKETS are NOT FOR USE in Petroleum service applications.
- NITRILE GASKETS: are available for petroleum products, air with oil vapor, as well as vegetable and/or mineral oil applications. NITRILE GASKETS are NOT FOR USE in Hot Water or Hot Air - (40°F to +230°F) service applications.
- BOLTS: Heat treated oval neck.
- NUTS: Heavy Hex, not plated.



GROOVED COUPLER (CLAMPS) Includes Gasket and Bolts

PART NUMBER	PIPE		COUPLER DIMENSIONS			BOLTS		MAX. WORKING PSI	GASKET EPDM	APPROX. WEIGHT LBS.
	SIZE	O.D. INCHES	A INCHES	B INCHES	C INCHES	QTY.	SIZE INCHES			
GVC-112	1 1/2"	1.900	1.900	1.900	1.900	2	3/8" x 2"	500	1 1/2"	1.42 lbs.
GVC-2	2"	2.375	2.375	2.375	2.375	2	3/8" x 2"	300	2"	1.74 lbs.
GVC-212	2 1/2"	2.875	2.875	2.875	2.875	2	1/2" x 2 1/2"	300	2 1/2"	2.40 lbs.
GVC-3	3"	3.500	3.500	3.500	3.500	2	1/2" x 2 5/8"	300	3"	2.76 lbs.
GVC-4	4"	4.500	4.500	4.500	4.500	2	1/2" x 2 7/8"	300	4"	3.74 lbs.
GVC-5	5"	5.563	5.563	5.563	5.563	2	5/8" x 3 1/4"	300	5"	5.44 lbs.
GVC-6	6"	6.625	6.625	6.625	6.625	2	5/8" x 3 1/4"	300	6"	6.54 lbs.
GVC-8	8"	8.625	8.625	8.625	8.625	2	3/4" x 4 1/4"	300	8"	13.46 lbs.
GVC-10	10"	10.750	10.750	10.750	10.750	2	7/8" x 6"	300	10"	24.28 lbs.
GVC-12	12"	12.750	12.750	12.750	12.750	2	7/8" x 6"	300	12"	27.72 lbs.

Customer:
Project:
Engineer:
Architect:
PO#: