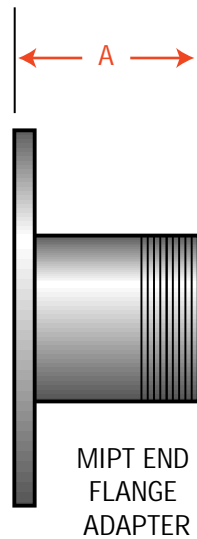
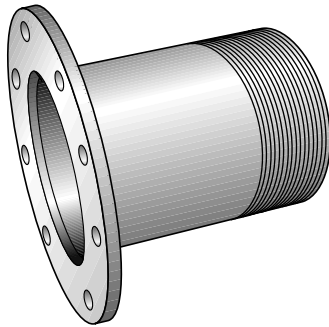


Morrell
INDUSTRIES, INC.
IRRIGATION EQUIPMENT MANUFACTURING

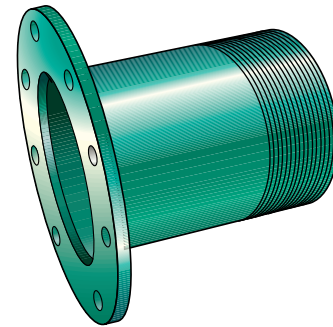
1523 X FLANGE ADAPTERS MIPT END Galvanized or Epoxy Carbon Steel

GALVANIZED
MIPT
FLANGE ADAPTER



MIPT END
FLANGE
ADAPTER

EPOXY
MIPT
FLANGE ADAPTER



PART NUMBER GALVANIZED	PART NUMBER EPOXY	FLANGE SIZE	FLANGE THICKNESS	PIPE THREAD SIZE	OVERALL LENGTH A	PIPE SCHEDULE	APPROX. WEIGHT LBS.
1523-22G	1523-22E	2"	1/2"	2"	3"	SCH 40	5 lbs.
1523-2122G	1523-2122E	2 1/2"	1/2"	2"	3"	SCH 40	6 lbs.
1523-212212G	1523-212212E	2 1/2"	1/2"	2 1/2"	3 1/2"	SCH 40	6 lbs.
1523-32G	1523-32E	3"	1/2"	2"	3"	SCH 40	8 lbs.
1523-3212G	1523-3212E	3"	1/2"	2 1/2"	3 1/2"	SCH 40	7 lbs.
1523-33G	1523-33E	3"	1/2"	3"	4"	SCH 40	7 lbs.
1523-42G	1523-42E	4"	1/2"	2"	3"	SCH 40	9 lbs.
1523-4212G	1523-4212E	4"	1/2"	2 1/2"	3 1/2"	SCH 40	9 lbs.
1523-43G	1523-43E	4"	1/2"	3"	4"	SCH 40	8 lbs.
1523-44G	1523-44E	4"	1/2"	4"	4"	SCH 40	8 lbs.
1523-53G	1523-53E	5"	1/2"	3"	4"	SCH 40	13 lbs.
1523-54G	1523-54E	5"	1/2"	4"	4"	SCH 40	10 lbs.
1523-55G	1523-55E	5"	1/2"	5"	6"	SCH 40	10 lbs.
1523-63G	1523-63E	6"	1/2"	3"	4"	SCH 40	18 lbs.
1523-64G	1523-64E	6"	1/2"	4"	4"	SCH 40	14 lbs.
1523-65G	1523-65E	6"	1/2"	5"	6"	SCH 40	12 lbs.
1523-66G	1523-66E	6"	1/2"	6"	6"	SCH 40	12 lbs.
1523-84G	1523-84E	8"	1/2"	4"	4"	SCH 40	19 lbs.
1523-85G	1523-85E	8"	1/2"	5"	6"	SCH 40	19 lbs.
1523-86G	1523-86E	8"	1/2"	6"	6"	SCH 40	19 lbs.
1523-88G	1523-88E	8"	1/2"	8"	6"	SCH 40	18 lbs.

- All Welds are Mig Welded.
- Galvanized Coating is applied conformint to ASTM 123 Specifications
- Epoxy Coating is applied using 3M Scotchkote 134 using a charged electrostatic spray process. Coating is applied to a uniform thickness of 10-12 mils.

Customer:
Project:
Engineer:
Architect:
PO#: