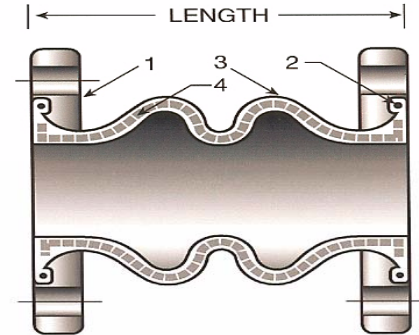


Morrell
INDUSTRIES, INC.
IRRIGATION EQUIPMENT MANUFACTURING

**TWIN SPHERE CONNECTOR
WITH FLOATING FLANGES**
AMT SERIES TWIN SPHERE RUBBER
EXPANSION JOINT - Flg x Flg

Features:

- * Applicable for suction and delivery(discharge).
- * Designed for greater compression,elongation, and angular movement than the single sphere expansion joint;
- * Excellent for absorbing thermal expansion and eliminating sound and vibration.
- * Gaskets and packing are not required.
- * Floating flanges allow for easy installation.
- * Absorbs water pulsation and minimizes water hammering.



DIMENSION AND ALLOWABLE MOVEMENT

PART NUMBER	SIZE	FACE TO FACE DIMENSION	ALLOWABLE MOTION RATINGS*				INSTALLATION TOLERANCES				FLANGE THICKNESS	APPROX WEIGHT
			COMPRESSION	ELONGATION	LATERAL	ANGULAR	COMPRESSION	ELONGATION	LATERAL	ANGULAR		
EJTS-112	1 1/2"	7"	1"	3/4"	1"	30°	1/4"	1/8"	5/16"	10°	.630"	10 lbs.
EJTS-2	2"	7"	1"	3/4"	1"	30°	1/4"	1/8"	5/16"	10°	.630"	11 lbs.
EJTS-212	2 1/2"	7"	1"	3/4"	1"	30°	1/4"	1/8"	5/16"	10°	.709"	12 lbs.
EJTS-3	3"	7"	1"	3/4"	1"	30°	1/4"	1/8"	5/16"	10°	.709"	14 lbs.
EJTS-4	4"	9"	1 3/8"	1"	1 1/4"	30°	1/4"	1/8"	5/16"	10°	.709"	20 lbs.
EJTS-5	5"	9"	1 3/8"	1"	1 1/4"	30°	1/4"	1/8"	3/8"	10°	.787"	25 lbs.
EJTS-6	6"	9"	1 3/8"	1"	1 1/4"	30°	1/4"	1/8"	3/8"	10°	.866"	30 lbs.
EJTS-8	8"	13"	1 3/4"	1"	1 1/2"	30°	1/4"	1/8"	1/2"	10°	.866"	42 lbs.
EJTS-10	10"	13"	1 3/4"	1"	1 1/2"	30°	1/4"	1/8"	1/2"	10°	.945"	57 lbs.
EJTS-12	12"	13"	1 3/4"	1"	1 1/2"	30°	1/4"	1/8"	1/2"	10°	1.024"	95 lbs.
EJTS-14	14"	13 3/4"	1 3/4"	1 1/4"	1 1/2"	20°	1/4"	1/8"	5/16"	10°	1.102"	122 lbs.
EJTS-16	16"	13 3/4"	1 3/4"	1 1/4"	1 1/2"	20°	1/4"	1/8"	5/16"	10°	1.181"	165 lbs.
EJTS-18	18"	13 3/4"	1 3/4"	1 1/4"	1 1/2"	20°	1/4"	1/8"	5/16"	10°	1.181"	168 lbs.
EJTS-20	20"	13 3/4"	1 3/4"	1 1/4"	1 1/2"	20°	1/4"	1/8"	5/16"	10°	1.260"	185 lbs.

Warning: Do Not elongate rubber expansion joints when installing for suction service

* Non Concurrent Ratings

OPERATING CONDITIONS

SIZE RANGE	1 1/2" TO 12"	14" TO 20"
Operating Pressure	214 psi	214 psi
Operating Temp	14° - 170° F (Neoprene)	14° - 170° F (Neoprene)
Range*	14° - 240° F (EPDM)	14° - 240° F (EPDM)
Vacuum Rating	26" Hg	26" Hg
Burst Pressure	850 psi	340 psi

Warning: Operating pressures listed in the above table are for up to 110° F (for Neoprene) and 125° F (for EPDM)

MATERIALS

PART	DESCRIPTION	MATERIAL
1	Flanges	Carbon Steel
2	Reinforcing wire	Mild Steel
3	Tube	Synthetic Rubber
4	Cover	Synthetic Rubber
5	Reinforcing Cord	Synthetic Fiber

Flanges available in other drilling and materials upon request

APPLICATIONS:

- * Pumps & air compressors in air conditioning systems & sanitary equipment.
- * Refrigeration systems and blowers in industrial plant equipment.
- * Feed water and drainage equipment in marine piping systems.
- * Application for use in power generation and chemical plants.
- * Agricultural pump and piping system connections.

Customer
Project
Engineer
Architect:
PO#

