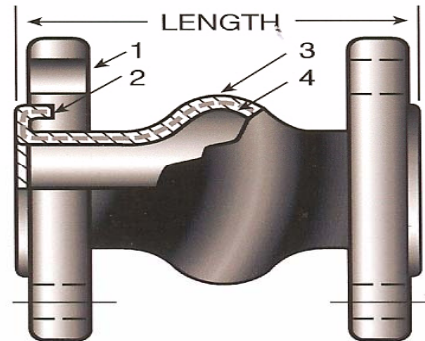


**Morrell**  
INDUSTRIES, INC.  
IRRIGATION EQUIPMENT MANUFACTURING

**SINGLE SPHERE  
CONNECTOR WITH  
FLOATING FLANGES**  
AMS SERIES SINGLE SPHERE RUBBER  
EXPANSION JOINT - Fig x Fig

**Features:**

- \* Applicable for suction and delivery(discharge).
- \* Provides sound and vibration isolation.
- \* Gaskets and packing are not required.
- \* Floating flanges allow for easy installation.
- \* Prevents piping system and equipment breakdown by absorbing elongation and contraction caused by temperature variances
- \* Absorbs water pulsation and minimizes water hammering.



**DIMENSION AND ALLOWABLE MOVEMENT**

PART NUMBER	SIZE	FACE TO FACE DIMENSION	ALLOWABLE MOTION RATINGS*				INSTALLATION TOLERANCES				FLANGE THICKNESS	APPROX WEIGHT
			COMPRESSION	ELONGATION	LATERAL	ANGULAR	COMPRESSION	ELONGATION	LATERAL	ANGULAR		
EJSS-112	1 1/2"	6"	1/2"	3/8"	1/2"	15°	3/16"	1/8"	1/4"	5°	.630"	6 lbs.
EJSS-2	2"	6"	1/2"	3/8"	1/2"	15°	3/16"	1/8"	1/4"	5°	.630"	6 lbs.
EJSS-212	2 1/2"	6"	1/2"	3/8"	1/2"	15°	3/16"	1/8"	1/4"	5°	.709"	12 lbs.
EJSS-3	3"	6"	5/8"	3/8"	1/2"	15°	3/16"	1/8"	1/4"	5°	.709"	14 lbs.
EJSS-4	4"	6"	5/8"	3/8"	1/2"	15°	3/16"	1/8"	1/4"	5°	.709"	18 lbs.
EJSS-5	5"	6"	5/8"	3/8"	1/2"	15°	3/16"	1/8"	1/4"	5°	.787"	23 lbs.
EJSS-6	6"	6"	5/8"	3/8"	1/2"	15°	3/16"	1/8"	1/4"	5°	.866"	27 lbs.
EJSS-8	8"	6"	5/8"	3/8"	1/2"	15°	3/16"	1/8"	1/4"	5°	.866"	41 lbs.
EJSS-10	10"	8"	3/4"	1/2"	3/4"	15°	3/16"	1/8"	1/4"	5°	.945"	57 lbs.
EJSS-12	12"	8"	3/4"	1/2"	3/4"	15°	3/16"	1/8"	1/4"	5°	1.024"	83 lbs.
EJSS-14	14"	8"	3/4"	1/2"	3/4"	15°	3/16"	1/8"	1/4"	5°	1.102"	115 lbs.
EJSS-16	16"	8"	3/4"	1/2"	3/4"	15°	3/16"	1/8"	1/4"	5°	1.181"	165 lbs.
EJSS-18	18"	8"	3/4"	1/2"	3/4"	15°	3/16"	1/8"	1/4"	5°	1.181"	168 lbs.
EJSS-20	20"	8"	3/4"	1/2"	3/4"	15°	3/16"	1/8"	1/4"	5°	1.260"	170 lbs.
EJSS-24	24"	10"	3/4"	1/2"	3/4"	15°	3/16"	1/8"	1/4"	5°	1.417"	180 lbs.

**Warning: Do Not elongate rubber expansion joints when installing for suction service**

\* Non Concurrent Ratings

**OPERATING CONDITIONS**

SIZE RANGE	1 1/2" TO 12"	14" TO 24"
Operating Pressure	214 psi	214 psi
Operating Temp	14° - 170° F (Neoprene)	14° - 170° F (Neoprene)
Range*	14° - 240° F (EPDM)	14° - 240° F (EPDM)
Vacuum Rating	26" Hg	26" Hg
Burst Pressure	850 psi	340 psi

**Warning:** Operating pressures listed in the above table are for up to 110° F (for Neoprene) and 125° F (for EPDM)

**MATERIALS**

PART	DESCRIPTION	MATERIAL
1	Flanges	Carbon Steel
2	Reinforcing wire	Mild Steel
3	Tube	Synthetic Rubber
4	Cover	Synthetic Rubber
5	Reinforcing Cord	Synthetic Fiber

Flanges available in other drilling and materials upon request

**APPLICATIONS:**

- \* Pumps & air compressors in air conditioning systems & sanitary equipment.
- \* Refrigeration systems and blowers in industrial plant equipment.
- \* Feed water and drainage equipment in marine piping systems.
- \* Application for use in power generation and chemical plants.
- \* Agricultural pump and piping system connections.

<b>Customer</b>
<b>Project</b>
<b>Engineer</b>
<b>Architect:</b>
<b>PO#</b>





1