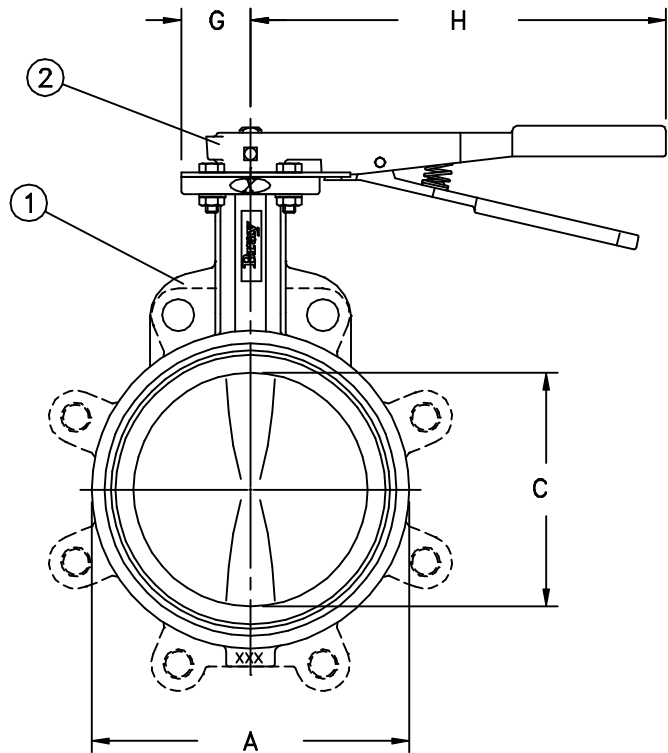
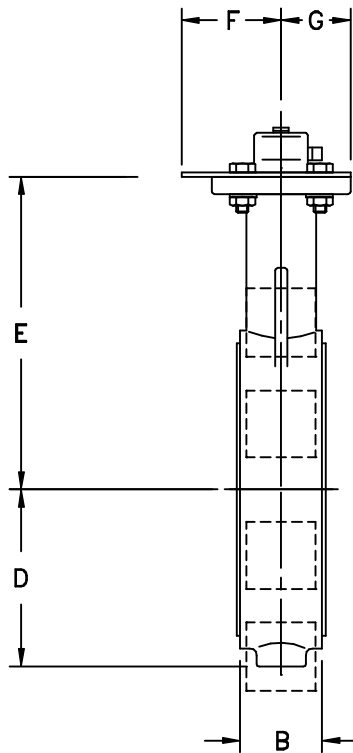


ATTENTION



THIS DOCUMENT IS VALID IF AND ONLY IF YOU PERSONALLY DOWNLOADED IT FROM WWW.BRAY.COM
 IF YOU RECEIVED THIS DOCUMENT FROM ANY OTHER SOURCE, PLEASE TAKE INTO CONSIDERATION THAT ALTERATIONS
 COULD HAVE BEEN MADE. FOR AN ORIGINAL COPY, PLEASE CONTACT BRAY VALVE AT 281-894-5454

SERIES 30/31
ES-11A-0319
Date: JUNE 1997

Valve Size	Handle Size	A	B	C	D		E	Handle Size	F	G	H
					Series 30	Series 31					
2"	0200	3.69	1.62	2.00	2.22	2.30	5.50	0200	2.55	1.77	10.62
2.5"	0200	4.19	1.75	2.50	2.47	2.57	6.00	0400	2.55	1.77	10.62
3"	0200	4.88	1.75	3.00	2.81	2.81	6.25	0500	2.55	1.77	10.62
4"	0400	6.06	2.00	4.00	3.41	4.09	7.00	0800	3.70	2.95	11.75
5"	0500	7.06	2.12	5.00	4.03	4.61	7.50	1000	3.70	2.95	11.75
6"	0500	8.12	2.12	5.75	4.53	5.06	8.00				
8"	0800	10.50	2.50	7.75	5.75	6.05	9.50				
10"	1000	12.75	2.50	9.75	7.12	7.69	10.75				
12"	1000	14.88	3.00	11.75	8.12	9.02	12.25				



2	HANDLE	1			
1	VALVE	1			
ITEM No.	NAME	No. REQUIRED	SERIES/PART No.	MATERIAL	SPECIFICATION/REMARKS

Valve Size _____ Flg. Drilling _____	 The High Performance Company A Division of BRAY INTERNATIONAL, Inc.	BRAY VALVE & CONTROLS DIMENSIONAL DRAWING (INCHES) SERIES 30/31 BUTTERFLY VALVE SERIES 01 HANDLE										
Pressure Rating _____												
Customer/Project _____												
Inq./P.O. No. _____												
Bray Order No. _____												
Certified Correct By _____ Date _____												
		<table border="1"> <tr> <th>Series</th> <th>Size</th> <th>Part No.</th> <th>Material Trim Code</th> <th>Drawing No.</th> </tr> <tr> <td></td> <td></td> <td></td> <td></td> <td>ES11A-0319</td> </tr> </table>	Series	Size	Part No.	Material Trim Code	Drawing No.					ES11A-0319
Series	Size	Part No.	Material Trim Code	Drawing No.								
				ES11A-0319								