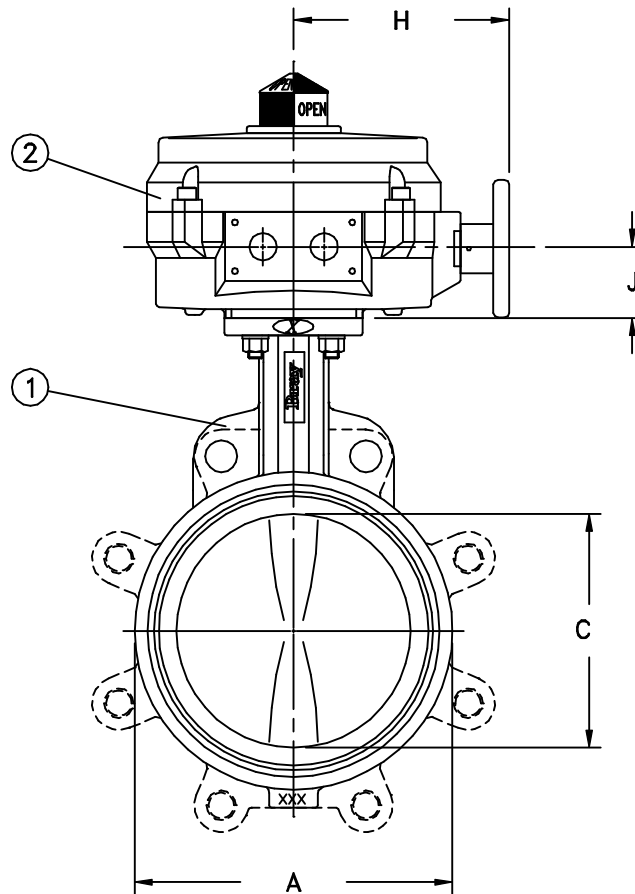
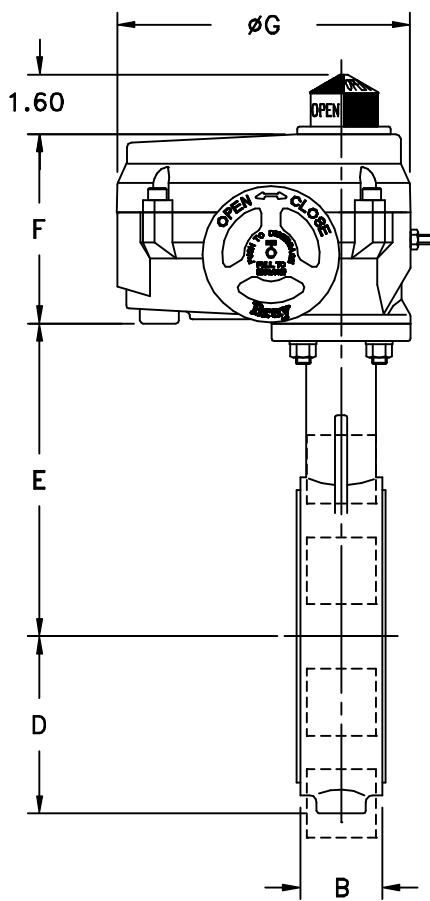


**\*ATTENTION\***

THIS DOCUMENT IS VALID IF AND ONLY IF YOU PERSONALLY DOWNLOADED IT FROM WWW.BRAY.COM  
 IF YOU RECEIVED THIS DOCUMENT FROM ANY OTHER SOURCE, PLEASE TAKE INTO CONSIDERATION THAT ALTERATIONS  
 COULD HAVE BEEN MADE. FOR AN ORIGINAL COPY, PLEASE CONTACT BRAY VALVE AT 281-894-5454

Valve Size	Actuator Size	A	B	C	D		E	Actuator Size	F	G	H	J
					Series 30	Series 31						
2"	003X,005X	3.69	1.62	2.00	2.22	2.30	5.50	70-003X 70-005X	5.1	7.5	5.8	1.9
2.5"	003X,005X	4.19	1.75	2.50	2.47	2.57	6.00	70-008X	6.5	10.1	7.8	2.5
3"	003X,005X	4.88	1.75	3.00	2.81	2.81	6.25	70-012X 70-020X				
4"	003X,005X,008X,012X,020X	6.06	2.00	4.00	3.41	4.09	7.00	70-030X 70-050X 70-060X				
5"	003X,005X,008X,012X,020X	7.06	2.12	5.00	4.03	4.61	7.50					
6"	003X,005X,008X,012X,020X	8.12	2.12	5.75	4.53	5.06	8.00					
8"	008X,012X,020X,030X,050X,060X	10.50	2.50	7.75	5.75	6.05	9.50					
10"	008X,012X,020X,030X,050X,060X	12.75	2.50	9.75	7.12	7.69	10.75					
12"	008X,012X,020X,030X,050X,060X	14.88	3.00	11.75	8.12	9.02	12.25					
14"	030X,050X,065X	17.05	3.00	13.25	9.38	9.93	13.62					
16"	030X,050X,065X	19.21	4.00	15.25	10.75	11.30	14.75					
18"	030X,050X,065X	21.12	4.25	17.25	12.00	12.16	16.00					
20"	030X,050X,065X	23.25	5.00	19.25	13.72	14.00	17.25					



2	ACTUATOR	1			
1	VALVE	1			
ITEM No.	NAME	No. REQUIRED	SERIES/PART No.	MATERIAL	SPECIFICATION/REMARKS

Valve Size \_\_\_\_\_ Flg. Drilling \_\_\_\_\_  
 Pressure Rating \_\_\_\_\_  
 Customer/Project \_\_\_\_\_  
 Inq./P.O. No. \_\_\_\_\_  
 Bray Order No. \_\_\_\_\_  
 Certified Correct By \_\_\_\_\_ Date \_\_\_\_\_



The High Performance Company

**BRAY VALVE & CONTROLS**

A Division of BRAY INTERNATIONAL, Inc.

DIMENSIONAL DRAWING (INCHES)  
 SERIES 30/31 BUTTERFLY VALVE WITH SERIES 70  
 ELECTRIC ACTUATOR SIZE 0006, 0012 & 0030

Series	Size	Part No.	Material Trim Code	Drawing No.
				ES11A-0317

