

ATTENTION

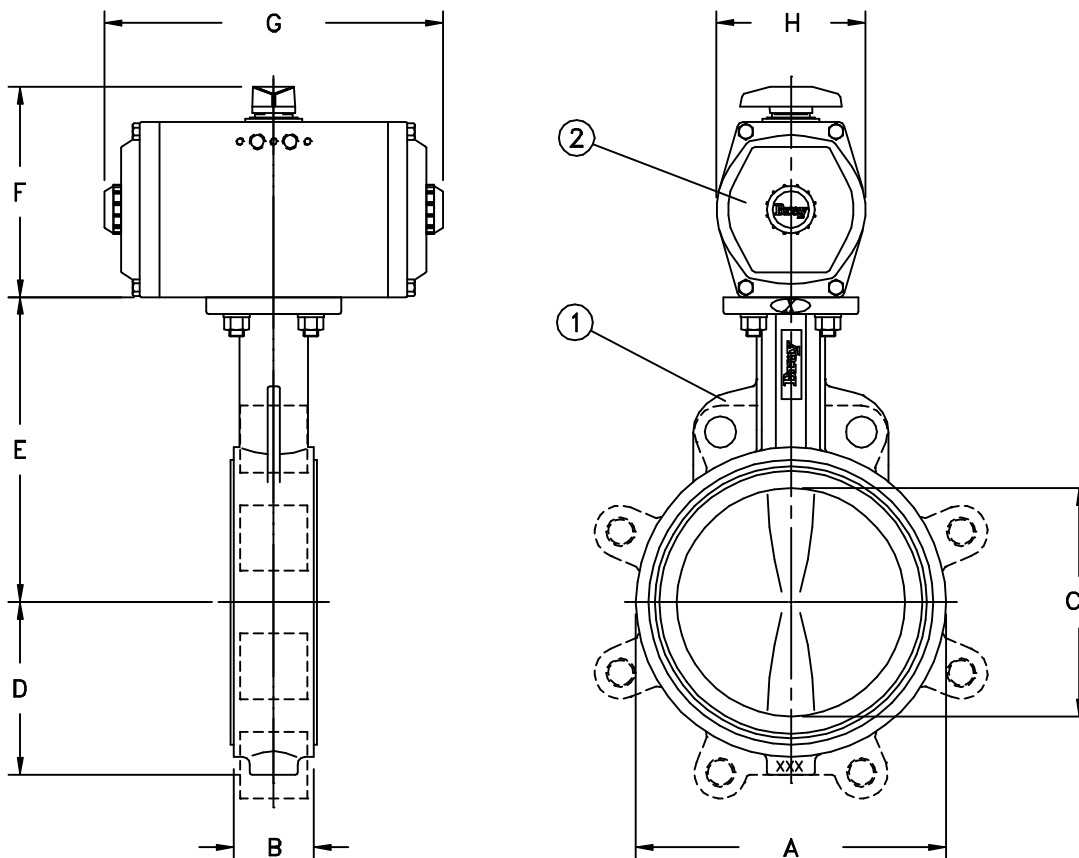
THIS DOCUMENT IS VALID IF AND ONLY IF YOU PERSONALLY DOWNLOADED IT FROM WWW.BRAY.COM
 IF YOU RECEIVED THIS DOCUMENT FROM ANY OTHER SOURCE, PLEASE TAKE INTO CONSIDERATION THAT ALTERATIONS
 COULD HAVE BEEN MADE. FOR AN ORIGINAL COPY, PLEASE CONTACT BRAY VALVE AT 281-894-5454

SERIES 30/31



ES11A-0316

Date: JUNE 1997

Valve Size	Actuator Size	A	B	C	D		E	Actuator Size	F	G	H
					Series 30	Series 31					
2"	63,83,92,118,127	3.69	1.62	2.00	2.22	2.30	5.50	63	4.29	6.00	2.76
2.5"	63,83,92,118,127	4.19	1.75	2.50	2.47	2.57	6.00	83	5.20	7.89	3.58
3"	63,83,92,118,127	4.88	1.75	3.00	2.81	2.81	6.25	92	5.54	8.91	3.94
4"	83,92,118,127	6.06	2.00	4.00	3.41	4.09	7.00	118	6.93	12.10	4.72
5"	83,92,118,127	7.06	2.12	5.00	4.03	4.61	7.50	127	7.73	12.34	5.39
6"	83,92,118,127	8.12	2.12	5.75	4.53	5.06	8.00	160	9.37	15.45	6.77
8"	118,127,160,210	10.50	2.50	7.75	5.75	6.05	9.50	210	11.61	18.92	8.83
10"	118,127,160,210	12.75	2.50	9.75	7.12	7.69	10.75	255	13.46	-	10.75
12"	118,127,160,210	14.88	3.00	11.75	8.12	9.02	12.25				
14"	160,210	17.05	3.00	13.25	9.38	9.93	13.62				
16"	160,210	19.21	4.00	15.25	10.75	11.30	14.75				
18"	210,255	21.12	4.25	17.25	12.00	12.16	16.00				
20"	210,255	23.25	5.00	19.25	13.72	14.00	17.25				



2	ACTUATOR	1			
1	VALVE	1			
ITEM No.	NAME	No. REQUIRED	SERIES/PART No.	MATERIAL	SPECIFICATION/REMARKS

Valve Size _____ Flg. Drilling _____	 <p>BRAY VALVE & CONTROLS A Division of BRAY INTERNATIONAL, Inc.</p>				
Pressure Rating _____					
Customer/Project _____					
Inq./P.O. No. _____					
Bray Order No. _____					
Certified Correct By _____ Date _____	DIMENSIONAL DRAWING (INCHES) SERIES 30/31 BUTTERFLY VALVE WITH SERIES 90/91 PNEUMATIC ACTUATOR SIZE 63 THRU 255				
	Series	Size	Part No.	Material Trim Code	Drawing No. ES11A-0316