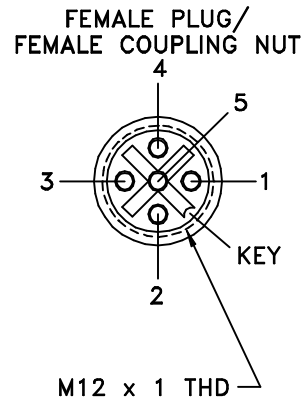
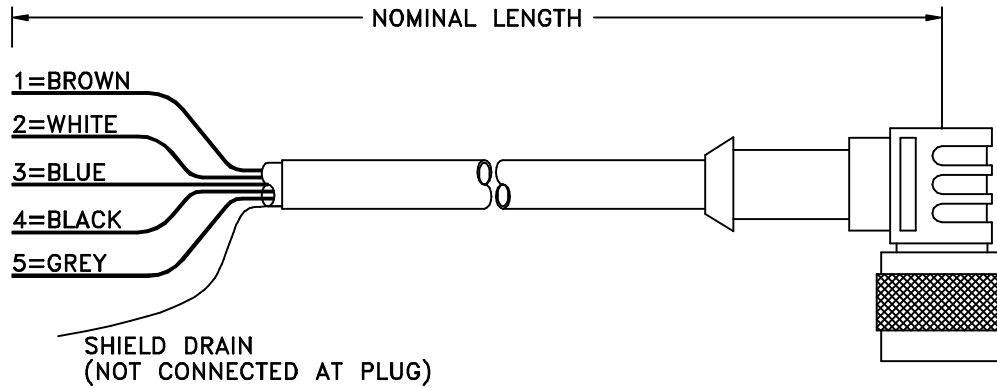



**\*ATTENTION\***

THIS DOCUMENT IS VALID IF AND ONLY IF YOU PERSONALLY DOWNLOADED IT FROM WWW.BRAY.COM  
 IF YOU RECEIVED THIS DOCUMENT FROM ANY OTHER SOURCE, PLEASE TAKE INTO CONSIDERATION THAT ALTERATIONS  
 COULD HAVE BEEN MADE. FOR AN ORIGINAL COPY, PLEASE CONTACT BRAY VALVE AT 281-894-5454

**SERIES 09**  
**ES11A-0291**  
**Date: August 1996**



PART No.	DESCRIPTION	NOMINAL LENGTH	MINIMUM CUT LENGTH
09-0002-76151-879	5-WIRE, CHROME PLATED BRASS	2 METER	6' 8"
09-0004-76151-879	5-WIRE, CHROME PLATED BRASS	4 METER	13' 4"
09-0006-76151-879	5-WIRE, CHROME PLATED BRASS	6 METER	20' 0"
09-0002-76151-534	5-WIRE, STAINLESS STEEL	2 METER	6' 8"
09-0004-76151-534	5-WIRE, STAINLESS STEEL	4 METER	13' 4"
09-0006-76151-534	5-WIRE, STAINLESS STEEL	6 METER	20' 0"

 The High Performance Company <b>BRAY VALVE &amp; CONTROLS</b> A Subsidiary of BRAY INTERNATIONAL, Inc.		Bray		
			SERIES 09 SHIELDED CORDSET FOR CONNECTING S70 ACTUATOR SIGNAL TO FIELD DEVICES FEMALE ELBOW END CONNECTION	
Series	Size	Part No.	Material Trim Code	Drawing No. ES11A-0291