

ATTENTION

THIS DOCUMENT IS VALID IF AND ONLY IF YOU PERSONALLY DOWNLOADED IF FROM WWW.BRAY.COM
 IF YOU RECEIVED THIS DOCUMENT FROM ANY OTHER SOURCE, PLEASE TAKE INTO CONSIDERATION THAT ALTERATIONS
 COULD HAVE BEEN MADE, FOR AN ORIGINAL COPY, PLEASE CONTACT BRAY VALVE AT 281-894-5454

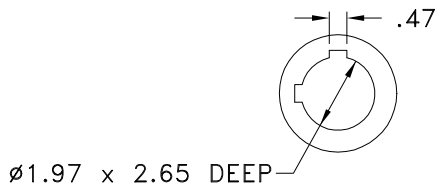
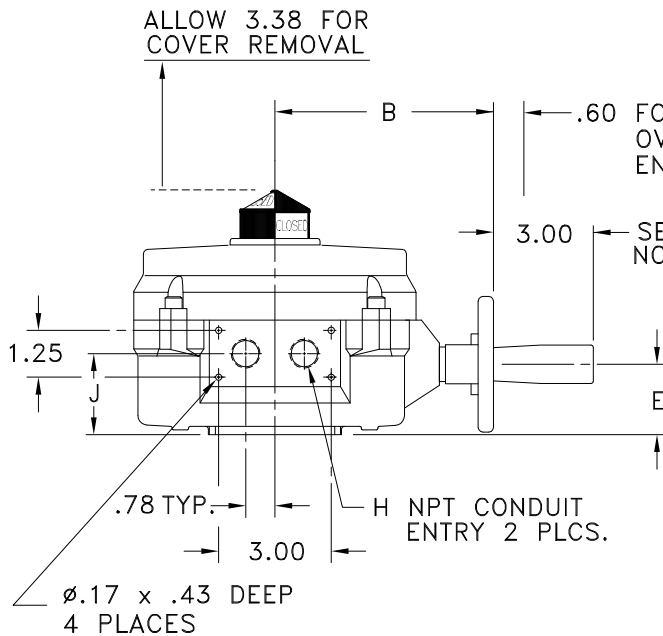
Actuator*	Torque (in-lbs)	Speeds (sec.)		A	B	C	D	E	F	G	H	J	K (UNC) x B.C.	M (UNC) x B.C.	N	P	Q	Weight (lbs) [kg]	
		Interm.	Cont.																
70-003X	300	8,15	30	7.5	5.8	3.0	5.1	1.9	1.94	.19	1/2	2.0	5/16-18 x ϕ 2.76	-	.75	.51	1.75	13 [5.9]	
70-005X	500	15	30																
70-008X	800	6,10,15	30	10.1	7.8	3.7	6.5	2.5	2.69	.56	3/4	2.6	5/16-18 x ϕ 2.76	1/2-13 x ϕ 4.92	1.18	.87	2.22	28 [13]	
70-012X	1200	10,15	30																
70-020X	2000	15	30																
70-030X	3000	18	30	12.1	9.5	5.6	7.2	2.9	3.19	.56	3/4	3.1	1/2-13 x ϕ 4.92	3/4-10 x ϕ 6.50	SEE DET. A			48 [22]	
70-050X	5000	18	30																
70-065X	6500		30																

*X=Speed Code (see below)

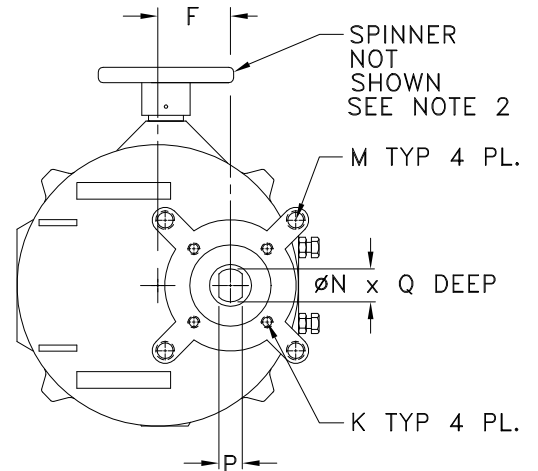
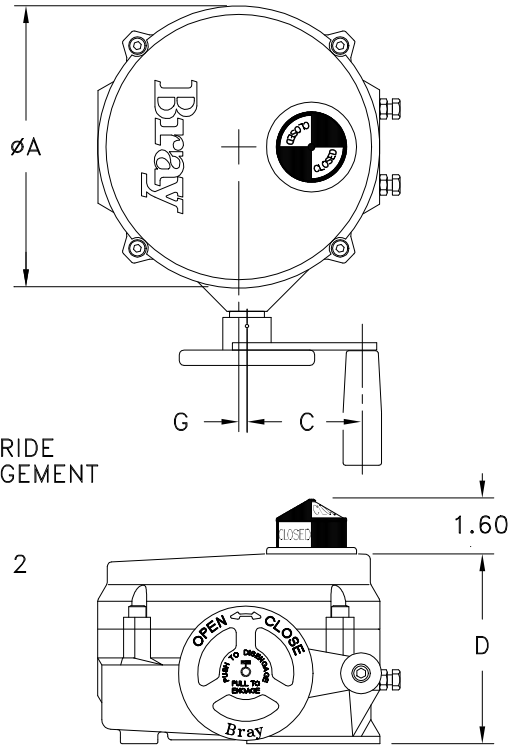
X	4	3	3	2	2	1
sec.	6	8	10	15	18	30

NOTE:

- 1) ALL DIMENSIONS IN INCHES
- 2) HANDWHEEL SPINNER IS OPTIONAL



DETAIL A
 FOR 3000, 5000 & 6500 ONLY



Customer/Project _____
 Inq./P.O. No. _____
 Bray Order No. _____
 Certified Correct By _____ Date _____

SERIES 70
 ELECTRIC ACTUATOR
 SIZES 300 THRU 6500
 WITH DECLUTCHABLE MANUAL OVERRIDE



SHEET	REV.
1 OF 1	14
DRAWING NO.	
ES11A-0226	