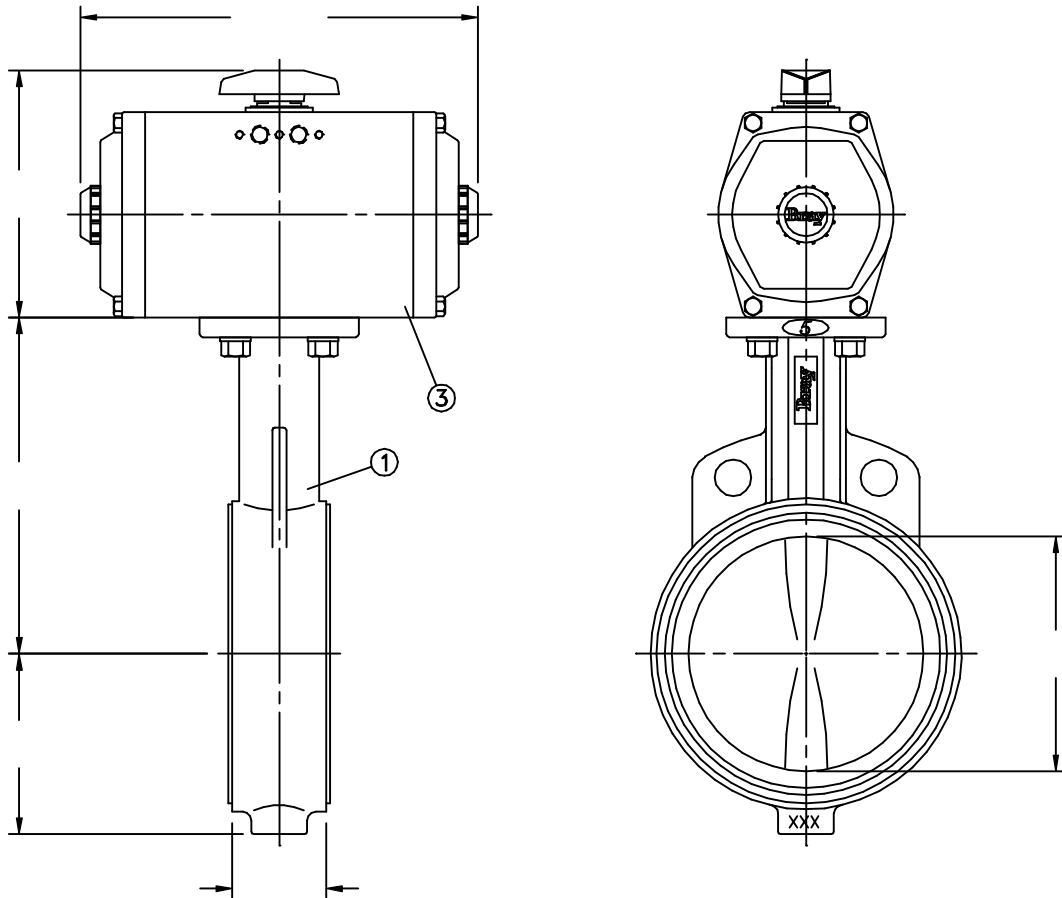


ATTENTION

THIS DOCUMENT IS VALID IF AND ONLY IF YOU PERSONALLY DOWNLOADED IT FROM WWW.BRAY.COM
 IF YOU RECEIVED THIS DOCUMENT FROM ANY OTHER SOURCE, PLEASE TAKE INTO CONSIDERATION THAT ALTERATIONS
 COULD HAVE BEEN MADE. FOR AN ORIGINAL COPY, PLEASE CONTACT BRAY VALVE AT 281-894-5454

ES-0198

Date: January 1993



2	ACTUATOR	1			
1	VALVE	1			
ITEM No.	NAME	No. REQUIRED	SERIES/PART No.	MATERIAL	SPECIFICATION/REMARKS

Valve Size _____ Flg. Drilling _____
 Pressure Rating _____
 Customer/Project _____
 Inq./P.O. No. _____
 Bray Order No. _____
 Certified Correct By _____ Date _____



The
High
Performance
Company

BRAY VALVE & CONTROLS

A Subsidiary of BRAY INTERNATIONAL, Inc.

TYPICAL BUTTERFLY VALVE WITH
 SERIES 90/91 PNEUMATIC ACUTATOR
 SIZE 63 THRU 255

Series	Size	Part No.	Material Trim Code	Drawing No.
				ES-0198

Bray