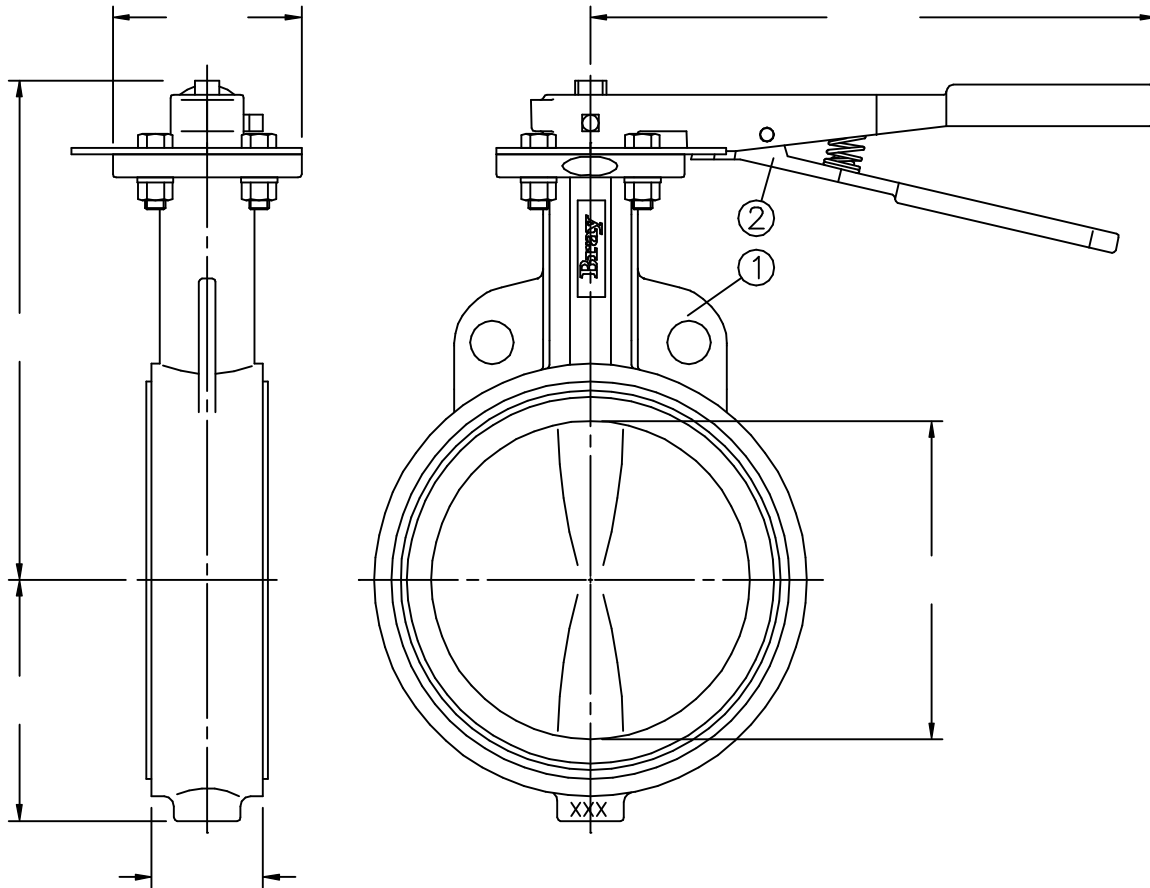


**SERIES 30
ES-0194**

ATTENTION

THIS DOCUMENT IS VALID IF AND ONLY IF YOU PERSONALLY DOWNLOADED IT FROM WWW.BRAY.COM
IF YOU RECEIVED THIS DOCUMENT FROM ANY OTHER SOURCE, PLEASE TAKE INTO CONSIDERATION THAT ALTERATIONS
COULD HAVE BEEN MADE. FOR AN ORIGINAL COPY, PLEASE CONTACT BRAY VALVE AT 281-894-5454



2	HANDLE	1			
1	VALVE	1			
ITEM No.	NAME	No. REQUIRED	SERIES/PART No.	MATERIAL	SPECIFICATION/REMARKS

Valve Size _____ Flg. Drilling _____
 Pressure Rating _____
 Customer/Project _____
 Inq./P.O. No. _____
 Bray Order No. _____
 Certified Correct By _____ Date _____



The
High
Performance
Company

BRAY VALVE & CONTROLS

A Subsidiary of BRAY INTERNATIONAL, Inc.

**SERIES 30 BUTTERFLY VALVE
WITH SERIES 01 HANDLE KIT**

Series	Size	Part No.	Material Trim Code	Drawing No.
				ES-0194

Bray